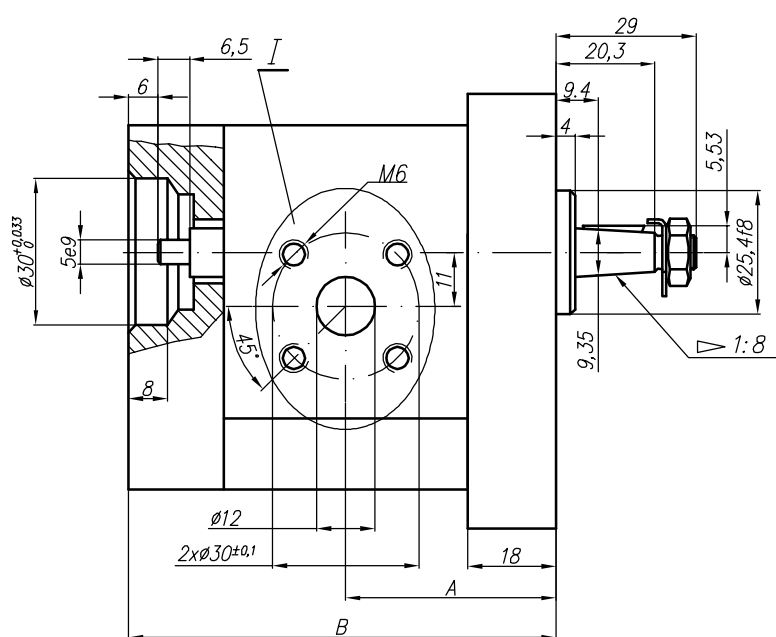
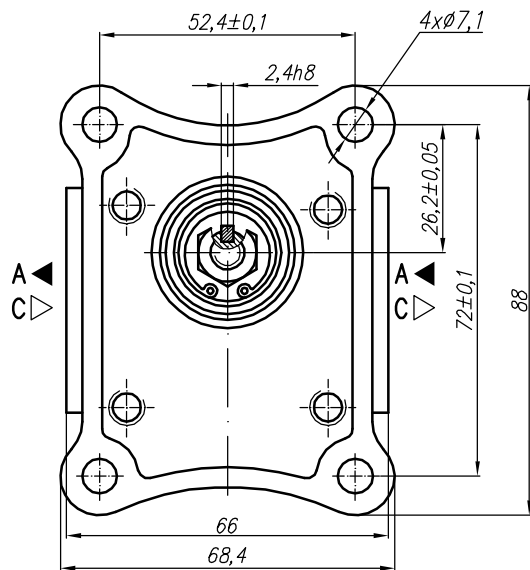


The pump 10A(C)...X174 is a first section of multiple pump Gr.11.



I – variants

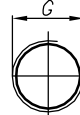
Variants:

- ...X174 - Normal version (flange);
- ...X174M - for M ports (see the picture I and the table below);
- ...X174G - for G ports (see the picture I and the table below);
- ...X174U - for U ports (see the picture I and the table below).

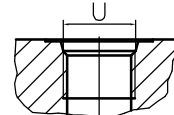
Variant M



Variant G



Variant U (SAEJ475 (ISO R725))



| Type | Displacement cm ³ /rev | Flow | | Pressure P _{nom} bar | max Speed n rpm | Dimension | | | | | | | |
|------------------|--------------------------------------|----------------------|---------------------|-------------------------------------|-----------------------|-----------|---------|---------|------------|-------------------|---------|--------------|--------------------|
| | | at 1500 rpm l/min | at max rpm l/min | | | A mm | B mm | Inlet | | | Outlet | | |
| | | | | | | | | M | G | U | M | G | U |
| 10A(C)1X174 | 1 | 1,40 | 3,26 | 250 | 3500 | 39,1 | 81 | M16x1,5 | G 3/8" - A | 3/4" - 16UNF - 2B | M16x1,5 | G 3/8" - A | 9/16" - 18UNF - 2B |
| 10A(C)1,25X174 | 1,25 | 1,74 | 4,07 | 250 | 3500 | 39,5 | 82 | | | | | | |
| 10A(C)1,6X174 | 1,6 | 2,23 | 5,21 | 250 | 3500 | 40,3 | 83,6 | | | | | | |
| 10A(C)2X174 | 2 | 2,82 | 6,58 | 250 | 3500 | 41,1 | 85,2 | | | | | | |
| 10A(C)2,5X174 | 2,5 | 3,53 | 8,23 | 250 | 3500 | 42,1 | 87,2 | | | | | | |
| * 10A(C)2,65X174 | 2,65 | 3,74 | 8,72 | 250 | 3500 | 42,4 | 87,8 | M20x1,5 | G 1/2" - A | 3/4" - 16UNF - 2B | M16x1,5 | G 3/8" - A | 9/16" - 18UNF - 2B |
| 10A(C)3,15X174 | 3,15 | 4,44 | 10,36 | 250 | 3500 | 43,5 | 89,8 | | | | | | |
| 10A(C)3,65X174 | 3,65 | 5,15 | 12,01 | 250 | 3500 | 44,4 | 91,9 | | | | | | |
| 10A(C)4,2X174 | 4,2 | 5,92 | 13,82 | 250 | 3500 | 45,5 | 94,1 | | | | | | |
| * 10A(C)4,7X174 | 4,7 | 6,63 | 15,46 | 250 | 3500 | 46,1 | 96 | | | | | | |
| 10A(C)5X174 | 5 | 7,05 | 14,10 | 250 | 3000 | 47,1 | 97,2 | M22x1,5 | G 1/2" - A | 7/8" - 14UNF | M18x1,5 | 3/4" - 16UNF | |
| 10A(C)5,7X174 | 5,7 | 8,12 | 16,25 | 200 | 3000 | 48,5 | 100,1 | | | | | | |
| 10A(C)6,1X174 | 6,1 | 8,69 | 14,49 | 200 | 2500 | 49,4 | 101,8 | | | | | | |
| 10A(C)7,4X174 | 7,4 | 10,55 | 17,58 | 180 | 2500 | 52,1 | 107,2 | | | | | | |
| * 10A(C)8X174 | 8 | 11,40 | 15,20 | 150 | 2000 | 53,4 | 109,7 | | | | | | |
| 10A(C)8,5X174 | 8,5 | 12,11 | 16,15 | 150 | 2000 | 54,4 | 111,7 | M22x1,5 | G 1/2" - A | 7/8" - 14UNF | M18x1,5 | 3/4" - 16UNF | |
| 10A(C)9,8X174 | 9,8 | 13,97 | 18,62 | 120 | 2000 | 57 | 117 | | | | | | |

* - These pumps - only under a special order