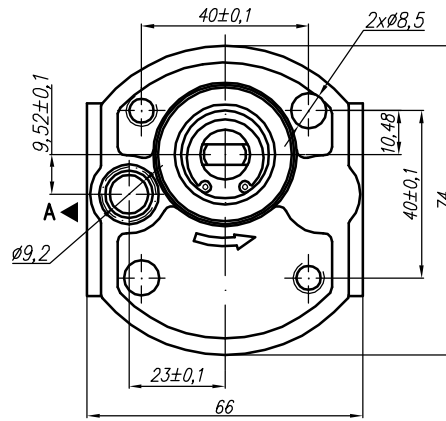
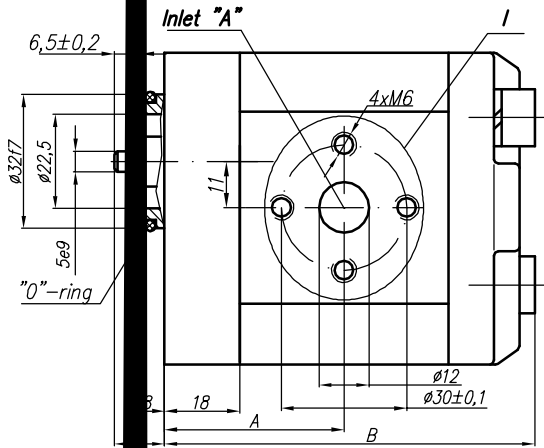
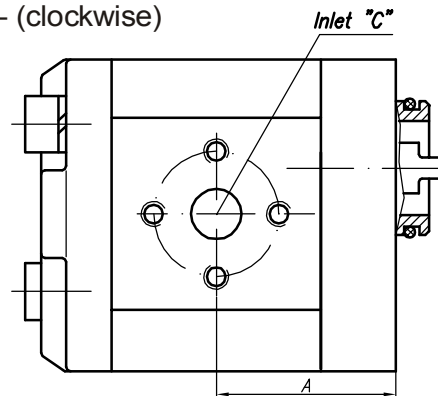
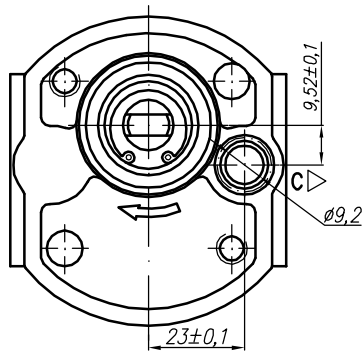


Rotation "A" - (anticlockwise)



Rotation "C" - (clockwise)



Variants:
...X330 - Normal version (flange);
X330M - for M...

I - variants (inlet only)

Variant M

Variant G

Variant U (SAEJ475 (ISO R725))

