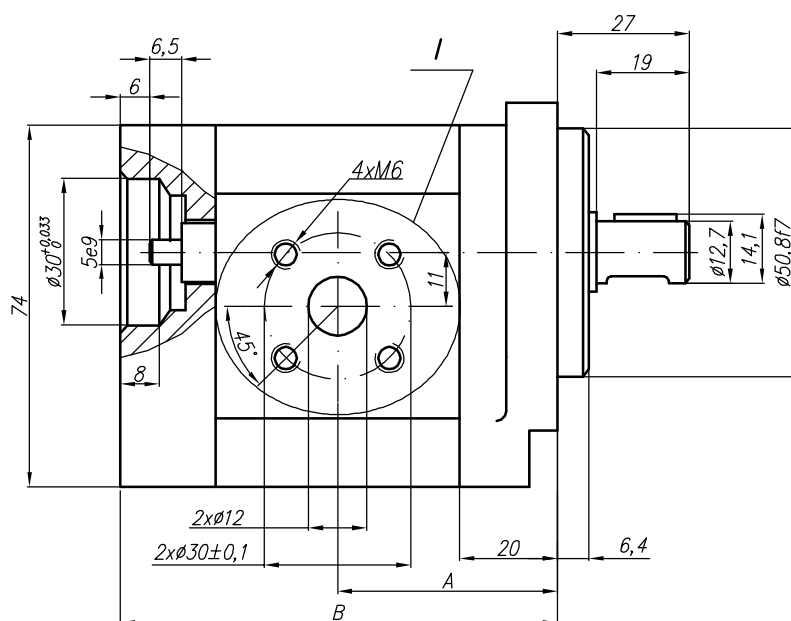
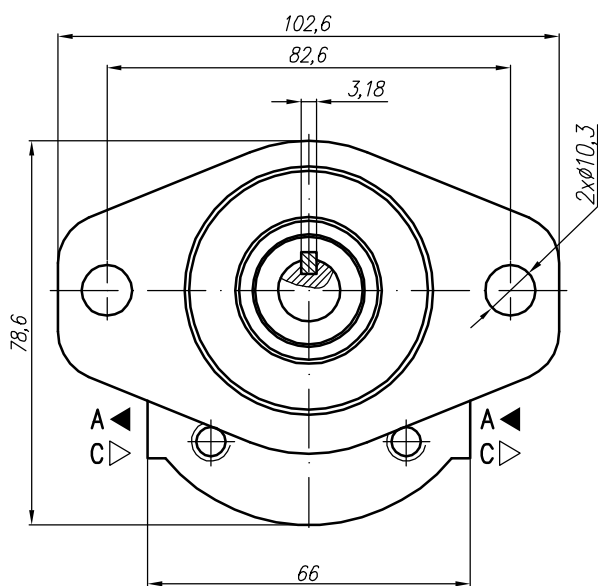


The pump 10A(C)...X416 is a first section of a multiple pump Gr.11.



I - variants

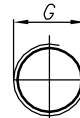
Variants:

- ...X416 - Normal version (flange);
- ...X416M - for M ports (see the picture I and the table below);
- ...X416G - for G ports (see the picture I and the table below);
- ...X416U - for U ports (see the picture I and the table below).

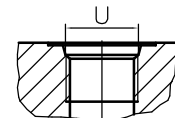
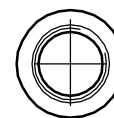
Variant M



Variant G



Variant U (SAEJ475 (ISO R725))



Type	Displacement cm ³ /rev	Flow		Pressure P _{nom} bar	max Speed n rpm	Dimension							
		at 1500 rpm l/min	at max rpm l/min			A mm	B mm	Inlet			Outlet		
								M	G	U	M	G	U
10A(C)1X416	1	1,40	3,26	250	3500	41,1	83	M16x1,5	G 3/8" - A	3/4" - 16UNF - 2B	M16x1,5	G 3/8" - A	9/16" - 18UNF - 2B
10A(C)1,25X416	1,25	1,74	4,07	250	3500	41,5	84						
10A(C)1,6X416	1,6	2,23	5,21	250	3500	42,3	85,6						
10A(C)2X416	2	2,82	6,58	250	3500	43,1	87,2						
10A(C)2,5X416	2,5	3,53	8,23	250	3500	44,1	89,2						
10A(C)2,65X416	2,65	3,74	8,72	250	3500	44,4	89,8	M20x1,5	G 1/2" - A	3/4" - 16UNF - 2B	M16x1,5	G 3/8" - A	9/16" - 18UNF - 2B
10A(C)3,15X416	3,15	4,44	10,36	250	3500	45,5	91,8						
10A(C)3,65X416	3,65	5,15	12,01	250	3500	46,4	93,9						
10A(C)4,2X416	4,2	5,92	13,82	250	3500	47,5	96,1						
* 10A(C)4,7X416	4,7	6,63	15,46	250	3500	48,5	98						
10A(C)5X416	5	7,05	14,10	250	3000	49,1	99,2	M22x1,5	G 1/2" - A	7/8" - 14UNF	M18x1,5	G 3/8" - A	3/4" - 16UNF
10A(C)5,7X416	5,7	8,12	16,25	200	3000	50,5	102						
10A(C)6,1X416	6,1	8,69	14,49	200	2500	51,4	103,8						
10A(C)7,4X416	7,4	10,55	17,58	180	2500	54,1	109,2						
* 10A(C)8X416	8	11,40	15,20	150	2000	55,4	111,7						
10A(C)8,5X416	8,5	12,11	16,15	150	2000	56,4	113,7	M22x1,5	G 1/2" - A	7/8" - 14UNF	M18x1,5	G 3/8" - A	3/4" - 16UNF
10A(C)9,8X416	9,8	13,97	18,62	120	2000	59	119						

* - These pumps - only under a special order