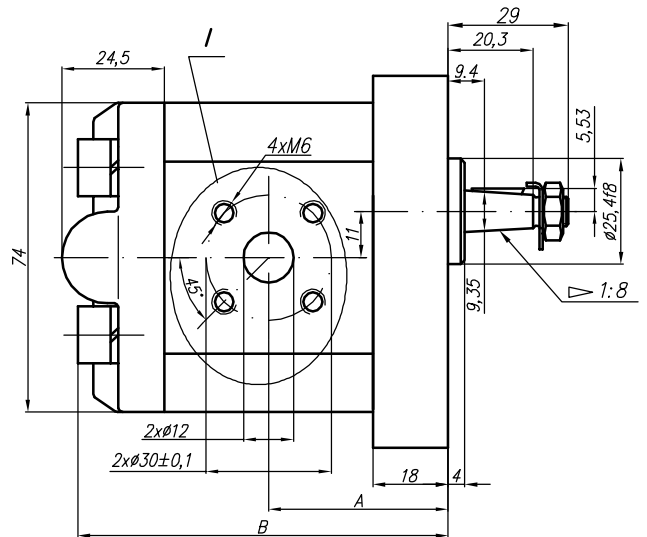
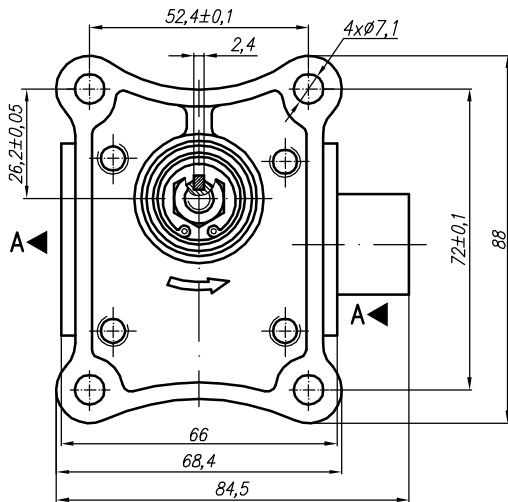
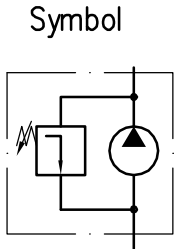
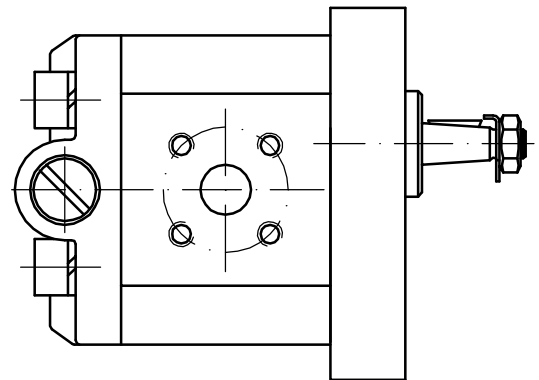
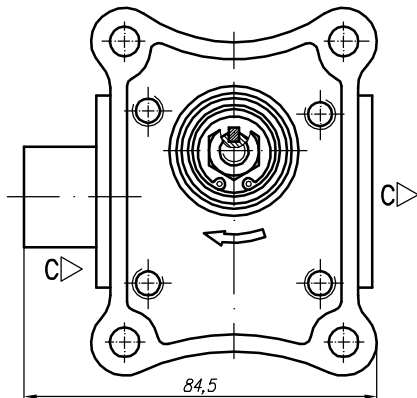


Rotation "A" - (anticlockwise)



Rotation "C" - (clockwise)



I - variants

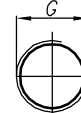
Pump variants:

- ...X491 - Normal version (flange);
- ...X491M - for M ports (see the picture I and the table below);
- ...X491G - for G ports (see the picture I and the table below);
- ...X491U - for U ports (see the picture I and the table below).

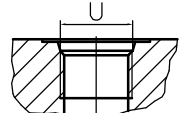
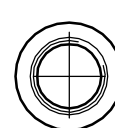
Variant M



Variant G



Variant U (SAEJ475 (ISO R725))



Valve variants:

- A2A1 - pressure range 70 ... 180 bar;
- A2A2 - pressure range 40 ... 100 bar;
- A2A4 - pressure range 15 ... 50 bar.

Type	Displacement cm ³ /rev	Flow		Pressure bar	max Speed n rpm	Dimension							
		at 1500 rpm l/min	at max rpm l/min			Inlet			Outlet				
						A mm	B mm	M	G	U	M	G	U
10A(C)1X491/A2A...	1	1,40	3,26	A2A1 - 70...180 A2A2 - 40...100 A2A4 - 15...50	3500	41,1	83	M16x1,5	G 3/8" - A	3/4" - 16UNF - 2B	M16x1,5	G 3/8" - A	9/16" - 18UNF - 2B
10A(C)1,25X491/A2A...	1,25	1,74	4,07		3500	41,5	84						
10A(C)1,6X491/A2A...	1,6	2,23	5,21		3500	42,3	85,6						
10A(C)2X491/A2A...	2	2,82	6,58		3500	43,1	87,2						
10A(C)2,5X491/A2A...	2,5	3,53	8,23		3500	44,1	89,2						
10A(C)3,15X491/A2A...	3,15	4,44	10,36		3500	45,5	91,8						
10A(C)3,65X491/A2A...	3,65	5,15	12,01		3500	46,4	93,9	M20x1,5	G 1/2"-A	3/4" - 16UNF - 2B	M16x1,5	G 3/8" - A	9/16" - 18UNF - 2B
10A(C)4,2X491/A2A...	4,2	5,92	13,82		3500	47,5	96,1						
10A(C)5X491/A2A...	5	7,05	16,45		3500	49,1	99,2						
10A(C)5,7X491/A2A...	5,7	8,12	16,25		3000	50,5	102						
10A(C)6,1X491/A2A...	6,1	8,69	14,49		2500	51,4	103,8						