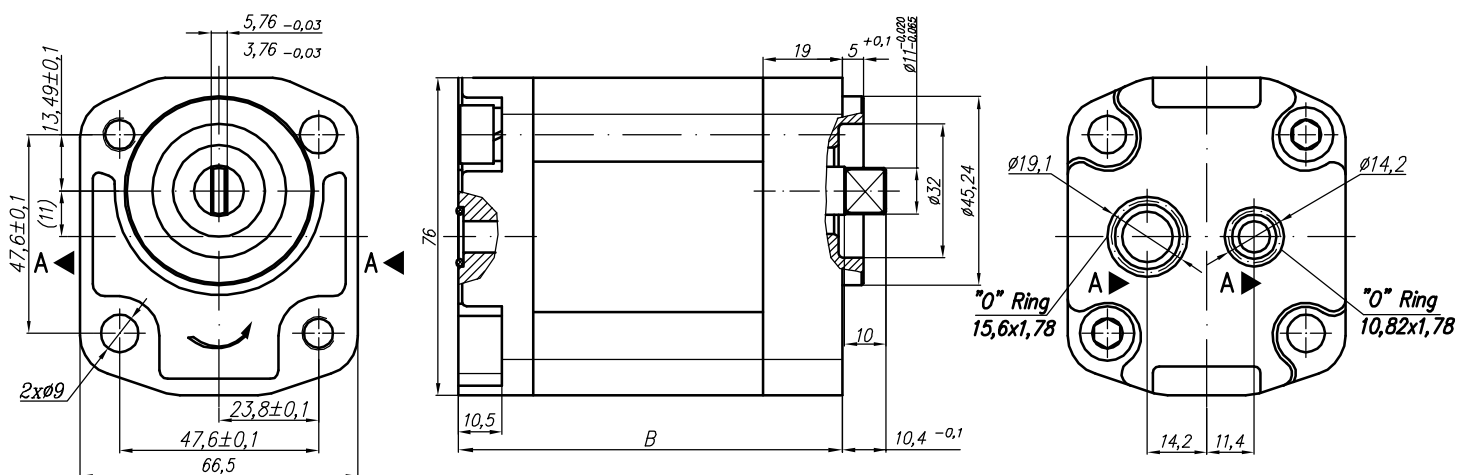
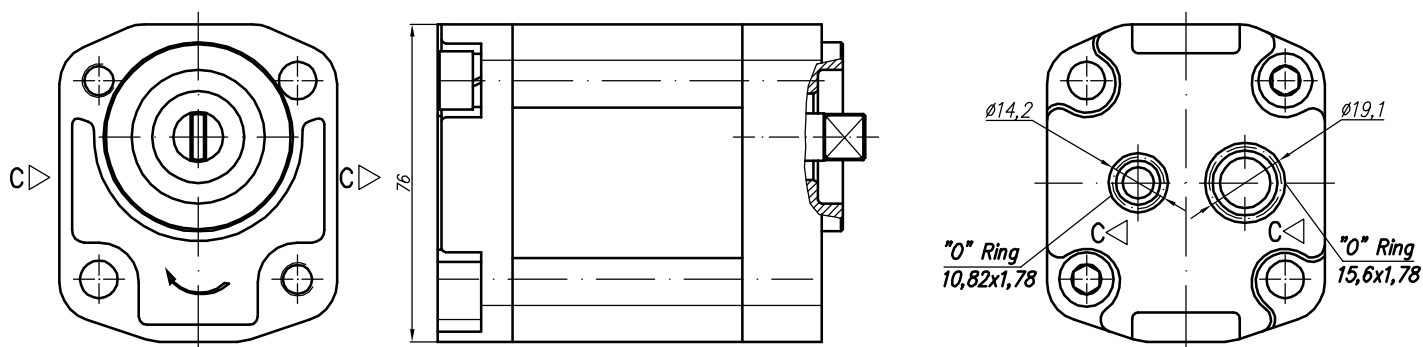


Rotation "A" - (anticlockwise)



Rotation "C" - (clockwise)



Variants:

- for drive shaft 3,76 - ...531-3

Type	Displacement cm ³ /rev	Flow		Pressure P _{nom} bar	max Speed n rpm	Dimension							
		at 1500 rpm l/min	at max rpm l/min			A mm	B mm	Inlet		Outlet			
10A(C)1X531	1	1,40	3,26	250	3500		78,2						
10A(C)1,25X531	1,25	1,74	4,07	250	3500		79,2						
10A(C)1,6X531	1,6	2,23	5,21	250	3500		80,6						
10A(C)2X531	2	2,82	6,58	250	3500		82,2						
10A(C)2,5X531	2,5	3,53	8,23	250	3500		84,2						
10A(C)3,15X531	3,15	4,44	10,36	250	3500		87						
10A(C)3,65X531	3,65	5,15	12,01	250	3500		89,6						
10A(C)4,2X531	4,2	5,92	13,82	250	3500		90,3						
10A(C)5X531	5	7,05	14,10	250	3000		94,9						
10A(C)5,7X531	5,7	8,12	16,25	200	3000		97,8						
10A(C)6,1X531	6,1	8,69	14,49	200	2500		100,8						