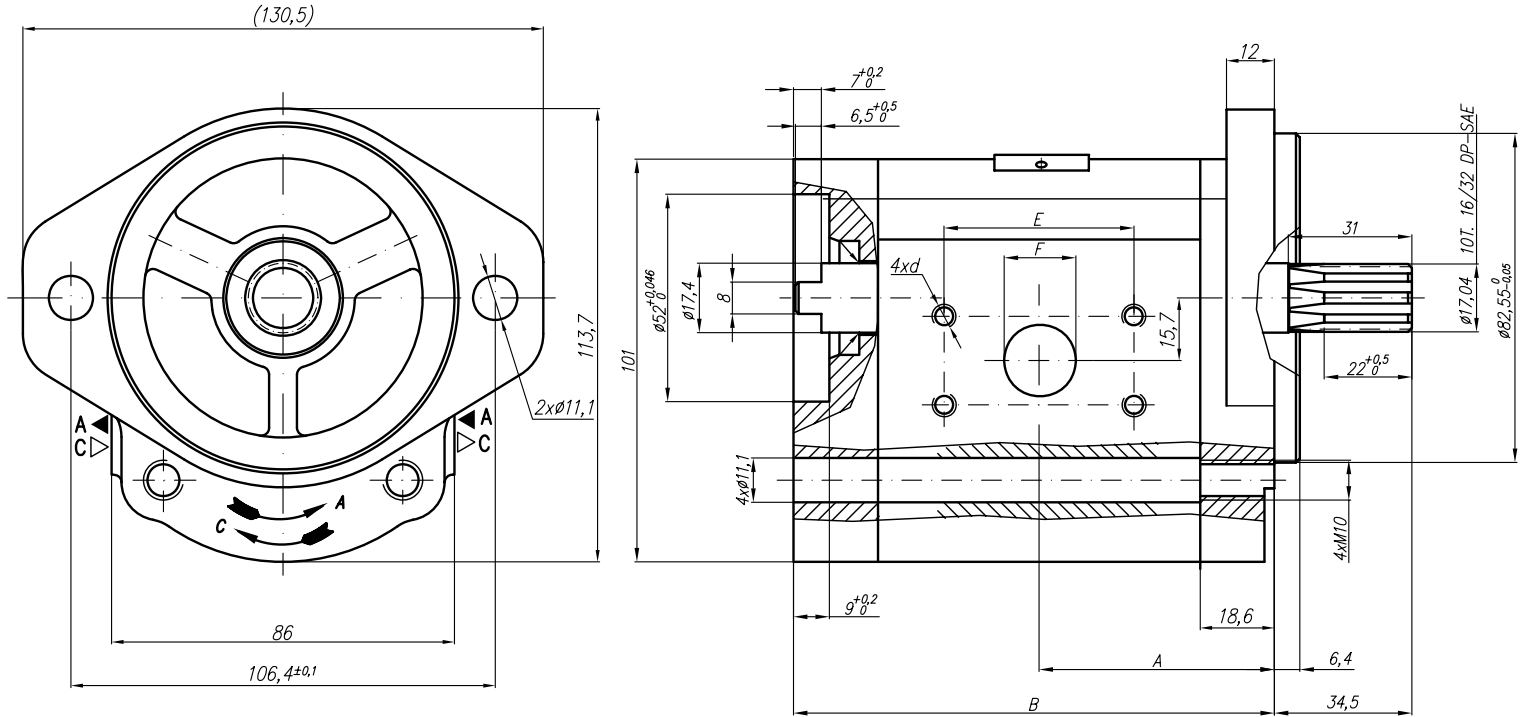


Designed as 1 section of tandem gear pump 22A(C)...X664H/...X665H



Type	Displacement cm ³ /rev	Flow		Pressure P _{nom} bar	max Speed n rpm	Dimension												
		at 1500 rpm l/min	at max rpm l/min			Inlet					Outlet							
						A mm	B mm	E	H	d	F	U	E	H	d	F	U	
20A(C)15X664H	15	20,48	47,78	250	3500	55,6	114	52,7	26,2	3/8"-14UNC-2B	25		47,6	22,2	3/8"-14UNC-2B	18		
20A(C)16X664H	16	22,08	51,52	250	3500	56,6	115,6											
20A(C)17,3X664H	17,3	23,87	55,71	230	3500	57,6	117,7											
20A(C)18,2X664H	18,2	25,39	59,24	210	3500	58,4	119,3											
20A(C)19X664H	19	26,51	61,85	200	3500	59	120,6											
20A(C)22X664H	22	31,02	72,38	180	3500	61,5	125,2											
20A(C)25X664H	25	35,63	83,13	160	3500	63,9	130,5											
20A(C)28X664H	28	40,32	67,20	130	2500	66,4	135,3											
20A(C)32X664H	32	46,08	76,80	120	2500	69,6	141,6											
20A(C)36X664H	36	51,84	86,40	100	2500	72,8	148,2											