

GENERAL DESCRIPTION
RM35&40-LA

The directional control valves perform actuation of two-, three- and four-positional spools by applying a DC voltage to the Actuator Control Board.

The design allows interchangeability of linear actuator control type SD1, SD10 with conventional mechanical controls without need to change the spool and housing.

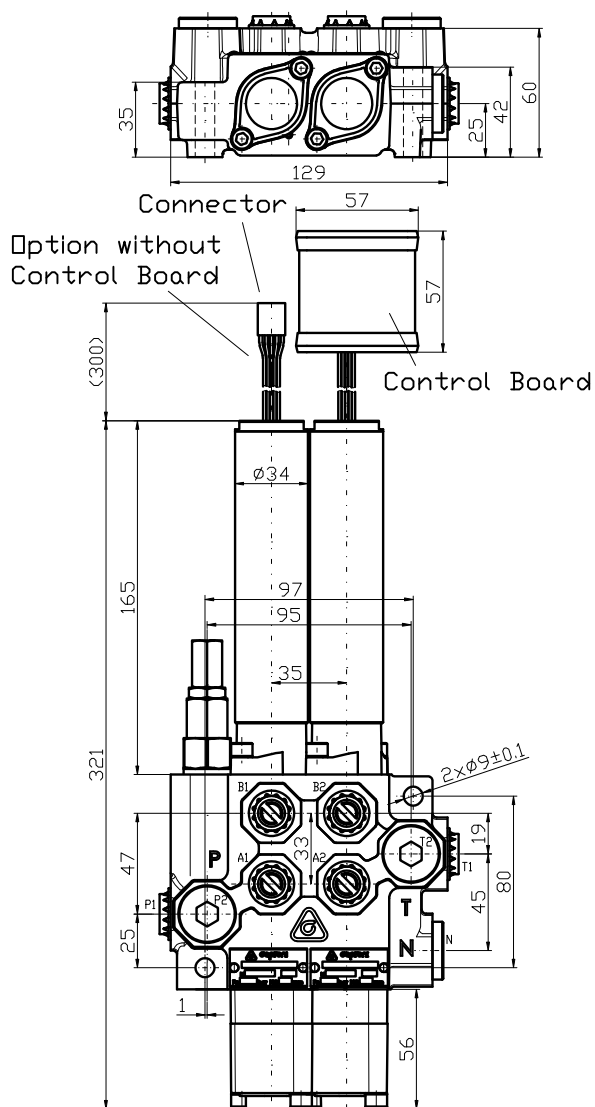
TECHNICAL DATA

Linear actuator specifications:

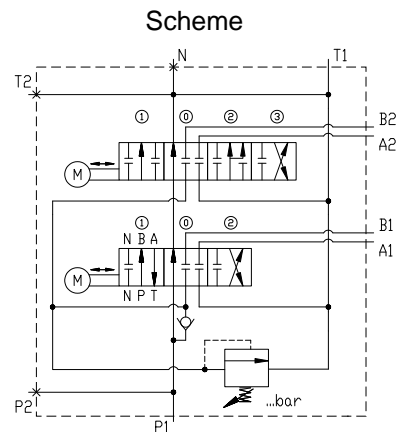
- Input voltage 0...15VDC
- Positional accuracy 0,3mm
- Ingress Protection IP45
- Operating temperature -10...+50°C
- Lifetime 20 000 strokes
- Speed 8mm/s maximum

ORDERING CODE

See RM35 and RM40P catalogues

DIMENSIONS


Example: RM40P/02/Q/1CPASD1/10CPASD10/R/P1T1/G/N



Input voltage for control board:

Spool stroke [mm]		Input voltage [VDC]
SD1	+6 (pos.1)	1,0
	0 (pos.0)	0,60
	-6 (pos.2)	0,19
SD10	+4,5 (pos.1)	1,17
	0 (pos.0)	0,87
	-5 (pos.2)	0,55
	-9,5 (pos.3)	0,23

GENERAL DESCRIPTION
RM80-LA

The directional control valves perform actuation of two-, three- and four-positional spools by applying a DC voltage to the Actuator Control Board.

The design allows interchangeability of linear actuator control type SD1, SD5 and SD10 with conventional mechanical controls without need to change the spool and housing.

TECHNICAL DATA

Linear actuator specifications:

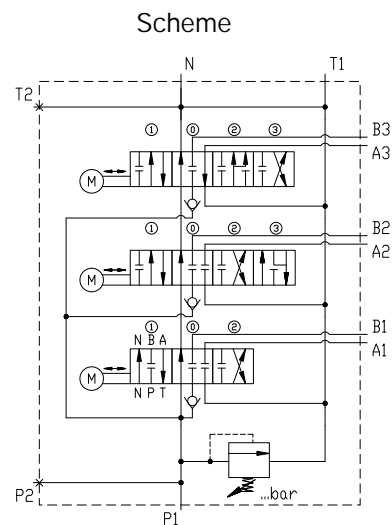
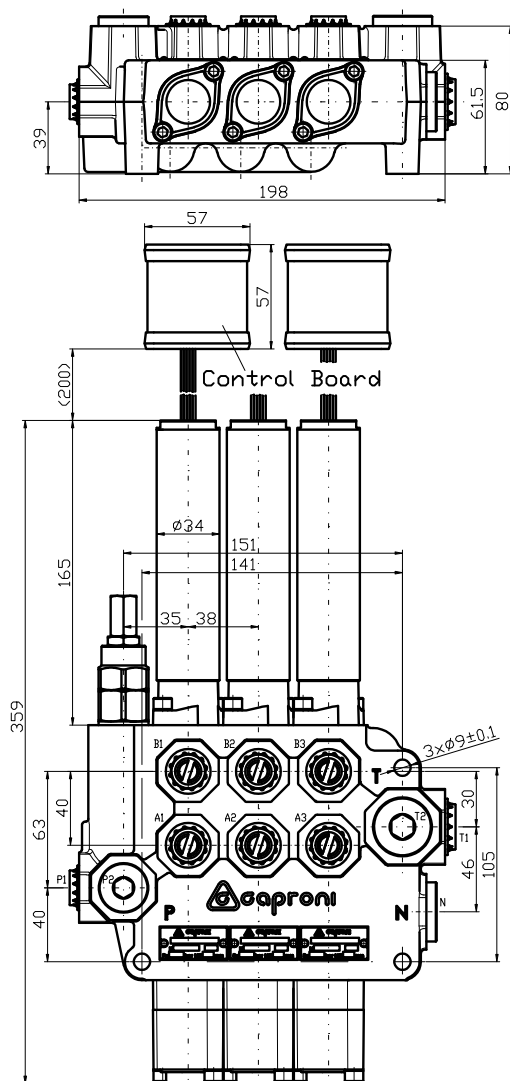
- Input voltage 0...15VDC
- Positional accuracy 0,3mm
- Ingress Protection IP45
- Operating temperature -10...+50°C
- Lifetime 20 000 strokes
- Speed 8mm/s maximum

ORDERING CODE

See RM80 catalogue.

DIMENSIONS

Example: RM80P/3/Q/1CPASD1//5CPASD5/10CPASD10/R/P1T1/G/N



Input voltage for control board:

	Spool stroke [mm]	Input voltage [VDC]
SD1	+7 (pos.1)	1,14
	0 (pos.0)	0,67
	-7 (pos.2)	0,20
SD5	+7 (pos.1)	1,29
	0 (pos.0)	0,82
	-7 (pos.2)	0,35
	-12,5 (pos.3)	0,01
SD10	+6 (pos.1)	1,22
	0 (pos.0)	0,82
	-4 (pos.2)	0,55
	-8,7 (pos.3)	0,24