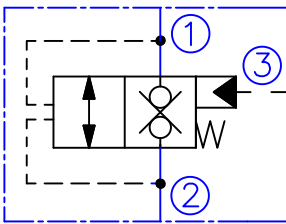


DESCRIPTION

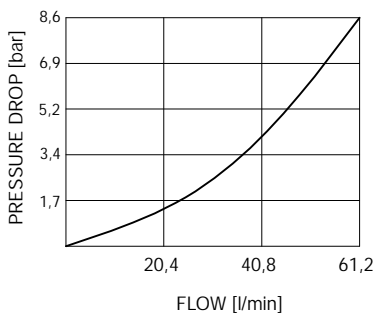
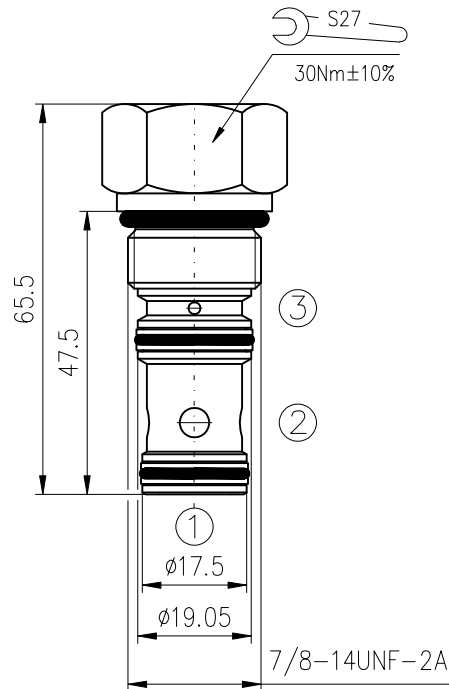
A spool-type , screw-in , cartridge-style , hydraulic directional element , with multi function potential when used with other directional , pressure or flow control devices.

OPERATION

The PLV10-SA is a spring-based poppet valve which will block 1 to 2 or 2 to 1 until pressure at 1 or 2 exceeds the cumulative pressure at 3 and bias spring. with no pressure at 3 flow will be allowed from 1 to 2 or 2 to 1 once the bias spring force is overcome with pressure at 1 or 2. When the element is in closed state , the ratio of areas 1 and 2 is 1:1 , and the ratio of areas 1 or 2 to 3 is 1:2.

SYMBOL

PERFORMANCE

Cartridge only

1 to 2 or 2 to 1 (fully open)
 32cSt oil at 40°C

DIMENSIONS

ORDERING CODE
PLV10-SA ...

Pressure sequence valve

 Seals: Buna N - N
 Viton V - V

TECHNICAL DATA

Operating pressure	350bar
Rated flow - See Performance Chart	
Internal leakage:	0,2cc/minute max. at 240bar
Bias Spring Pressure	11bar
Working liquid-hydraulic oils with characteristics: -viscosity -degree of filtration -temperature	10...400 cSt 0,025 mm -20...+80°C
Cavity: See "Cavities and bodies" brochure	CC10-S3