

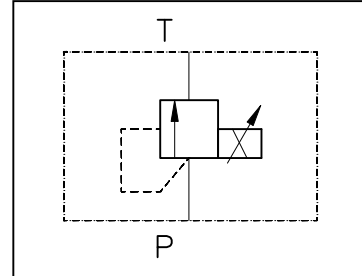
GENERAL DESCRIPTION

List: RVPB06-1-May 2016

The RVPB06... valve is designed to limit the pressure in a hydraulic system in proportion to the applied electrical input. The valve is normally open, cartridge type and increases the system pressure by increasing control input signal.



Symbol



- ✓ Removable coils for quick replacement and rotation in any direction without leakage from the system
- ✓ Standard industrial common cavity CC06-2 - see "Cavities and bodies" brochure
- ✓ External electronics

ORDERING CODE

RVPB 06 - ... - F

Proportional pressure relief valve

Nominal size

Max. regulating pressure:

up to 350bar - **350**
up to 250bar - **250**

Climatic realization:

N - normal
T - tropical

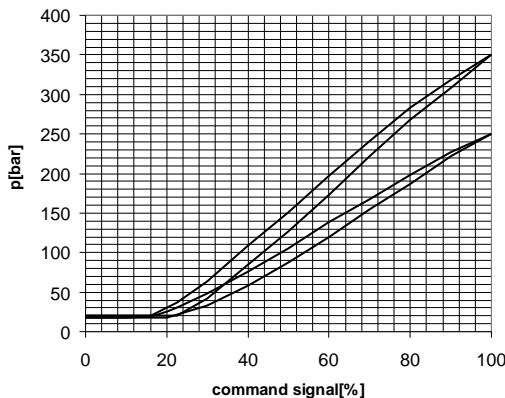
Connector:

C1 - without connector
C2 - with connector by DIN24650
C3 - with connector by DIN24650 with light indicator

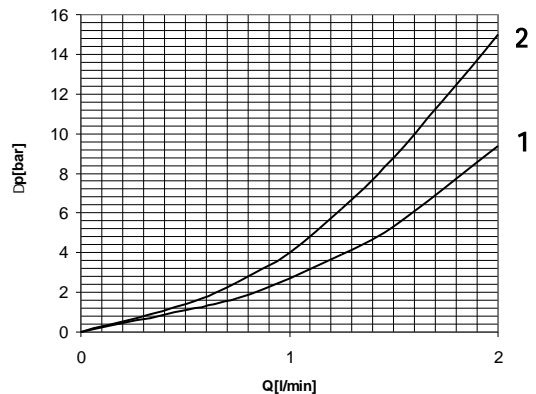
Modification

CHARACTERISTICS

Measured at: PWM 150Hz, $I_{max.} = 2A$,
 $I_{min.} = 0A$, $Q_{in} = 1,5l/min$, $t = 45^{\circ}C$



Measured at: $t = 45^{\circ}C$, without command signal
1 - RVPB06-250... ; 2 - RVPB06-350...



TECHNICAL DATA

GENERAL

DATA	UNIT	VALUE/RANGE
Installation position		optional , preferably horizontal
Ambient temperature range	°C	-20...+50
Weight	kg	0,600
Hysteresis	%	<8
Repeatability	%	±1,5

HYDRAULIC

Max. operating pressure	MPa	35
Max. inlet flow	l/min	2
Hydraulic fluid-mineral oil: -viscosity -filtration degree to ISO 4406 -temperature	mm ² /s class °C	10...400 18/16/13 -20...80

ELECTRICAL

Cyclic duration	%	100
Waterproof		IP65
Heat insulation		H
Coil resistance	cold warm	W 3
Max. coil current	A	2,5

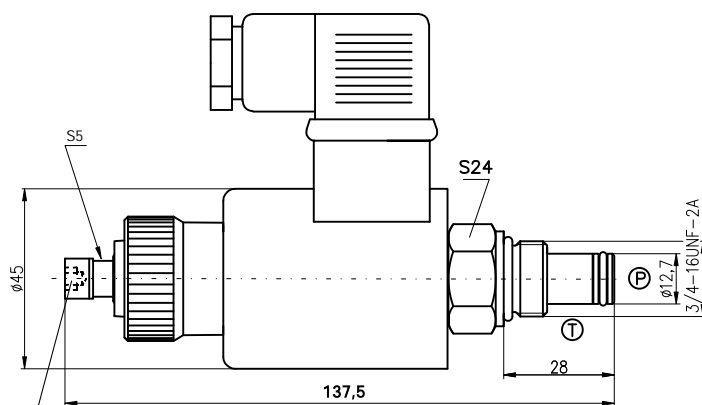
AMPLIFIER

EDAR 1211-1-25 - Order separately

This digital amplifier EDAR 1211-1-25 is designed to control direct operated proportional directional control valves , proportional pressure relief valve and proportional flow regulators with one solenoid without feedback - see "List: EDAR1211-1-25".

DIMENSIONS

All dimensions are shown in mm.



Unscrew partially for air bleeding then screw to stop

Air bleeding is obligatory for best performance characteristics.