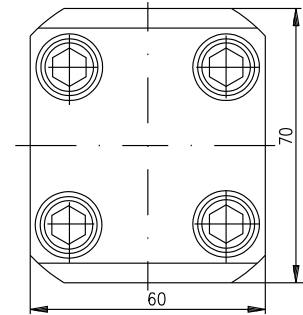
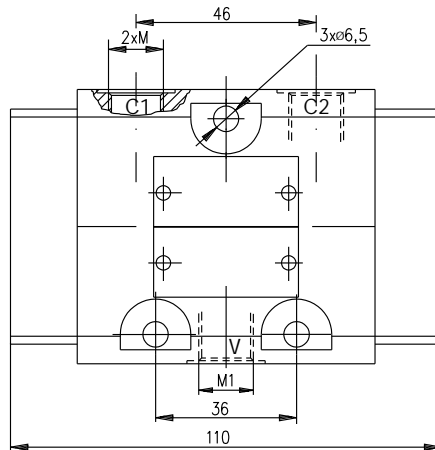
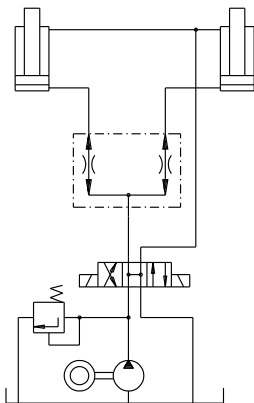


**DESCRIPTION**

- ✓ Dividing and combining valves for pipe mounting- KDS-.....
- ✓ The dividing and combining valves are designed to separate the flow in the hydraulic system on two equal passages which pass equally in the return line. In that way synchronized movement is obtained for operating the actuator in both directions.

**DIMENSIONS**


TYPE	M	M1
KDS-10	M14x1,5	M14x1,5
KDS-40	M18x1,5	M22x1,5

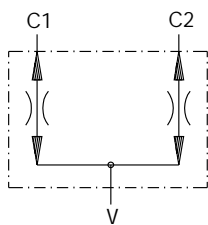
**APPLICATIONS**

**ORDERING CODE**

KDS	-	***	***
-----	---	-----	-----

Dividing and combining valve

 Nominal bore: 10mm - 10  
40mm - 40

Flow rate range: bore size - 10	5...7 l/min - A
	7...12 l/min - B
	12...16 l/min - C
bore size - 40	16... 21 l/min - A
	21...28 l/min - B
	28...37 l/min - C
	37...49 l/min - D
	49...63 l/min - E

**SYMBOL**

**TECHNICAL DATA**

Max. Pressure		320 bar
Rated flow (Dp=2,5 bar.)	KDS-10A	5...7 l/min
	KDS-10B	7...12 l/min
	KDS-10C	12...16 l/min
	KDS-40A	16...21 l/min
	KDS-40B	21...28 l/min
	KDS-40C	28...37 l/min
	KDS-40D	37...49 l/min
	KDS-40E	49...63 l/min
Accuracy - DQ		±4%
Working liquid-hydraulic oils with characteristics:		
-viscosity		10...400 cSt
-degree of filtration		0,025 mm
-temperature		-20... +80°C