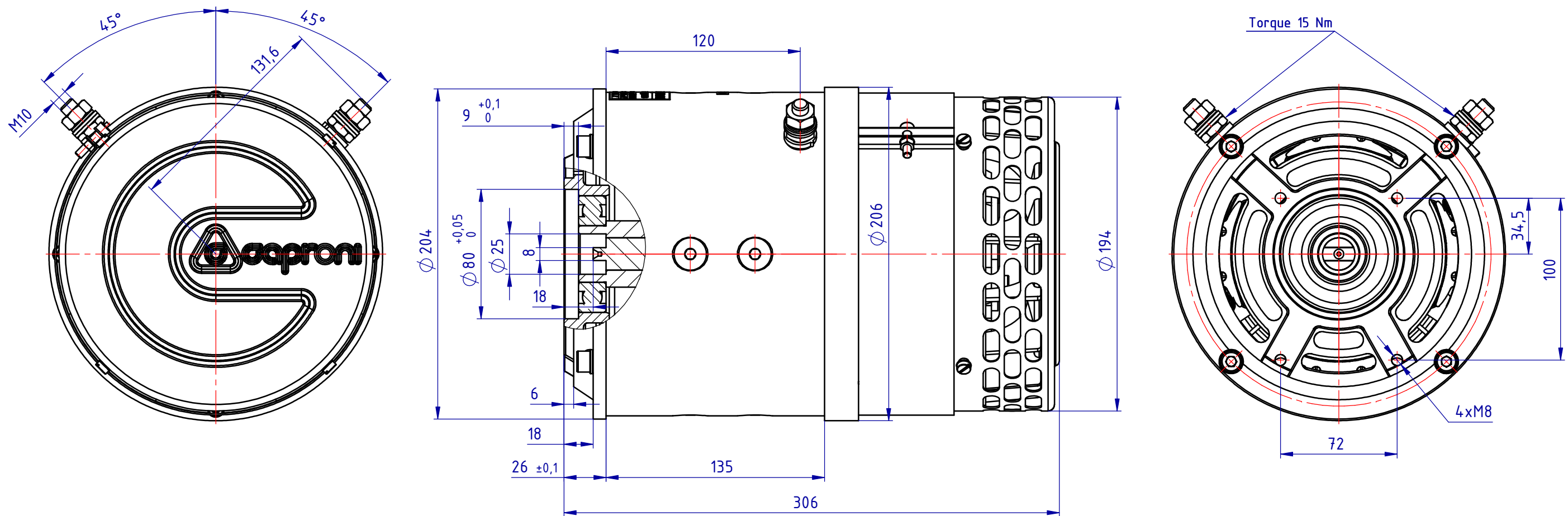


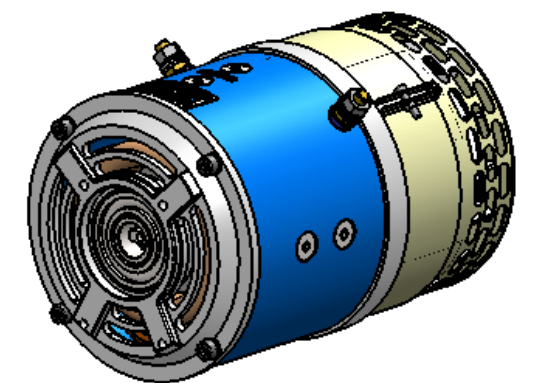
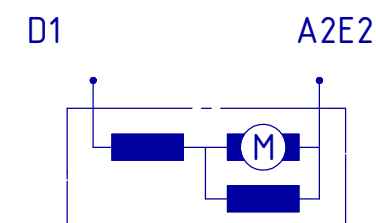
DCM 4,5/2.4/25   DCM 5,2/2.4/28   DCM 4,5/4.8/25   DCM 5.2/4.8/28  
for hydraulic pumps



Technical Data

	<u>DCM 4,5/2,4/25</u> Id.N° R33883	<u>DCM 5,2/2,4/28</u> Id.N° 13979	<u>DCM 4,5/4,8/28</u> Id.N° 14640	<u>DCM 5,2/4,8/28</u> Id.N° 14817
Rated Power	4,5	5,2	4,5	5,2
Rated Voltage	24	24	28	48
Rated r.p.m	2500	2800	2800	2800
Rated Torque	17,6	17,7	15,4	17,7
Rated Current	240	293	120	145
Duty cycle	S2=20 min.	S2=15 min.,S3=30%	S2=15 min.	S2=15 min.,S3=30%
Protection	IP 21	IP 21	IP 21	IP 21
Insulation Class	F	F	F	F
Weight	29.5	29	29	29
Rotation	C.W.	C.W.	C.W.	C.W.
Excitation	Compaund	Compaund	Compaund	Compaund

Connection Diagram



JOINT-STOCK COMPANY  
**Caproni**  
HYDRAULIC COMPONENTS AND SYSTEMS

6100 Kazanlak, BULGARIA, 45, General Stoletov Str.  
E-mail: caproni@caproni.bg; WEB: <http://www.caproni.bg>