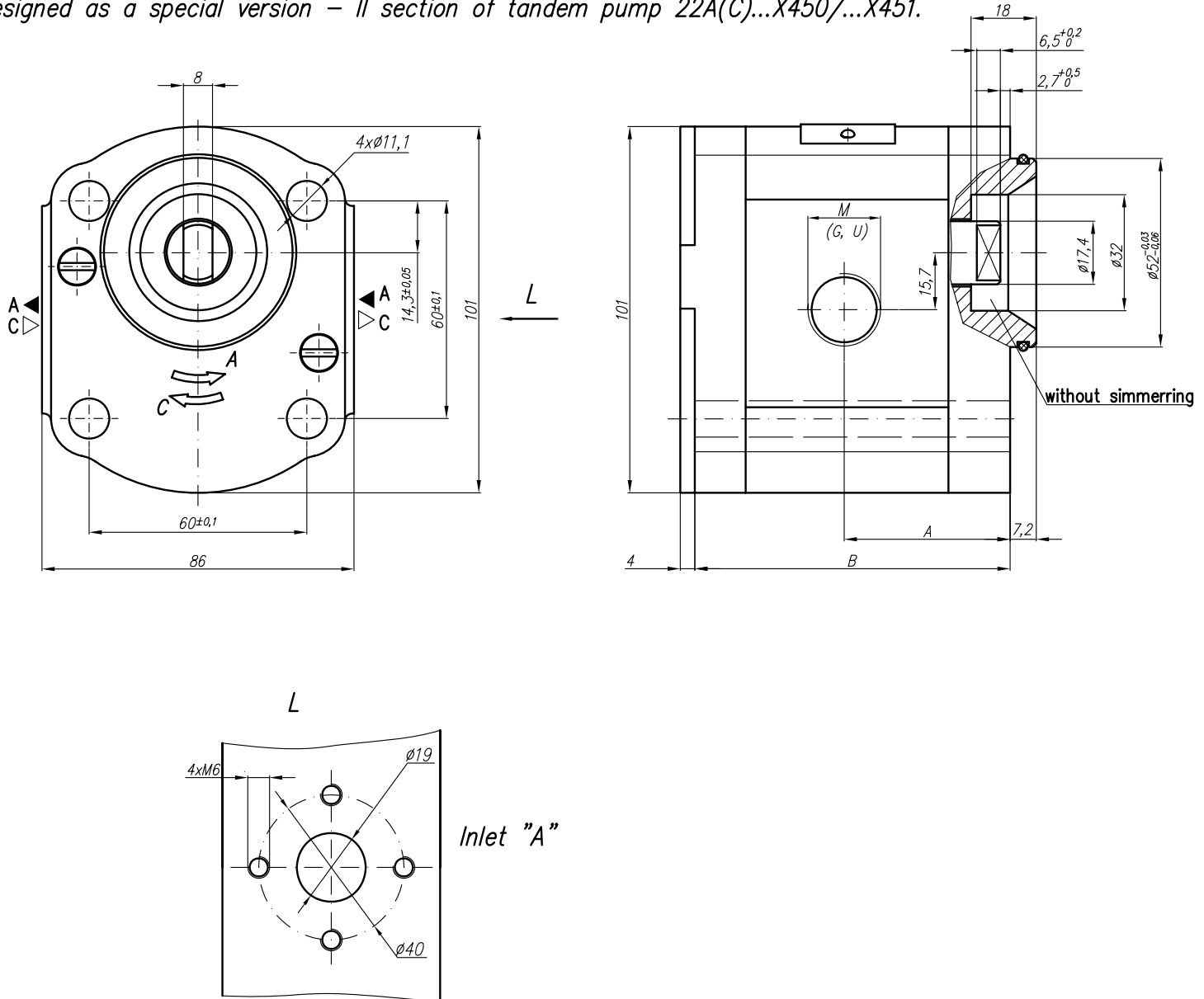


Designed as a special version – II section of tandem pump 22A(C)...X450/...X451.



\* These pressures recommended for direct drive with gear.

| Type         | Displacement<br>cm <sup>3</sup> /rev | Flow                 |                     | Pressure<br>P <sub>nom</sub><br>bar | max Speed<br>n<br>rpm | Dimension |         |       |    |       |        |      |   |
|--------------|--------------------------------------|----------------------|---------------------|-------------------------------------|-----------------------|-----------|---------|-------|----|-------|--------|------|---|
|              |                                      | at 1500 rpm<br>l/min | at max rpm<br>l/min |                                     |                       | A<br>mm   | B<br>mm | Inlet |    |       | Outlet |      |   |
|              |                                      |                      |                     |                                     |                       |           |         | E     | F  | d     | M      | G    | U |
| 20A(C)11X451 | 11,3                                 | 15,76                | 26,27               | <b>250(175*)</b>                    | 2500                  | 46        | 89      |       |    |       |        |      |   |
| 20A(C)15X451 | 15                                   | 21,60                | 36,00               | <b>250(175*)</b>                    | 2500                  | 49        | 94,9    | 40    | 19 | M6-6H |        | G3/8 |   |
| 20A(C)16X451 | 16                                   | 23,04                | 38,40               | <b>250(175*)</b>                    | 2500                  | 49        | 96,5    |       |    |       |        |      |   |
|              |                                      |                      |                     |                                     |                       |           |         |       |    |       |        |      |   |
| 20A(C)25X451 | 25                                   | 36,00                | 48,00               | <b>160(100*)</b>                    | 2000                  | 57,2      | 111,4   |       |    |       |        |      |   |