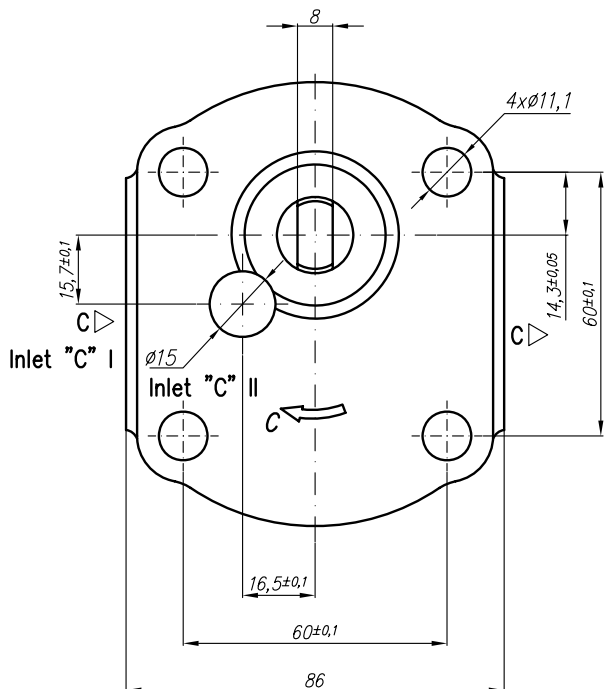
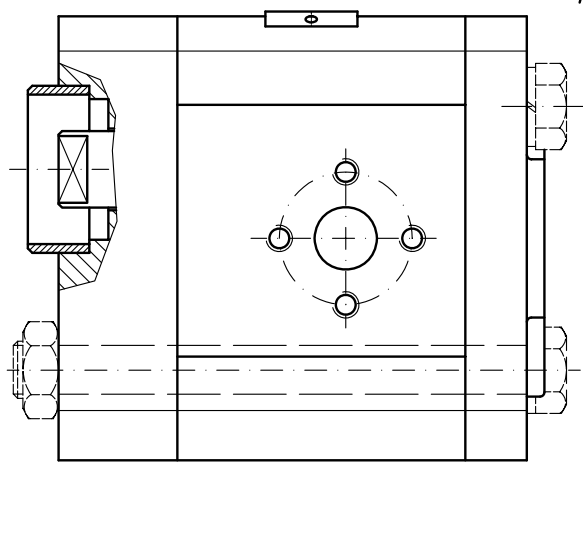
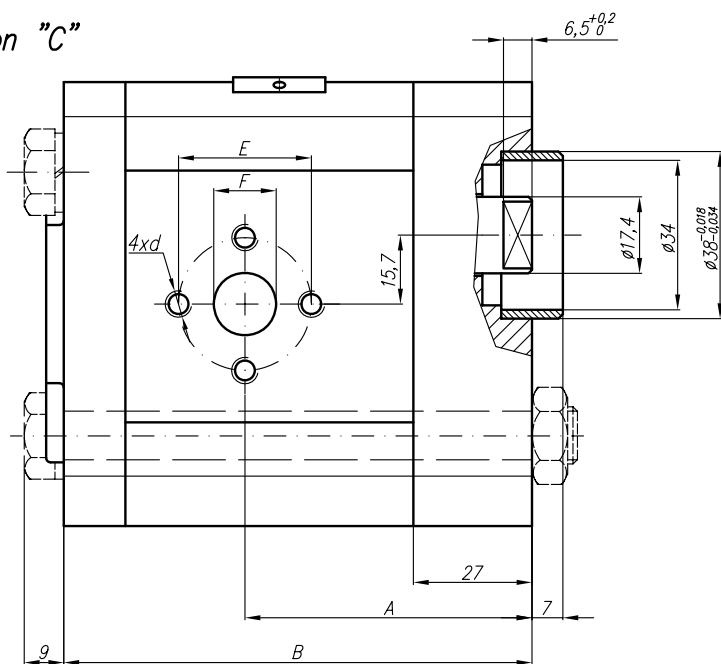


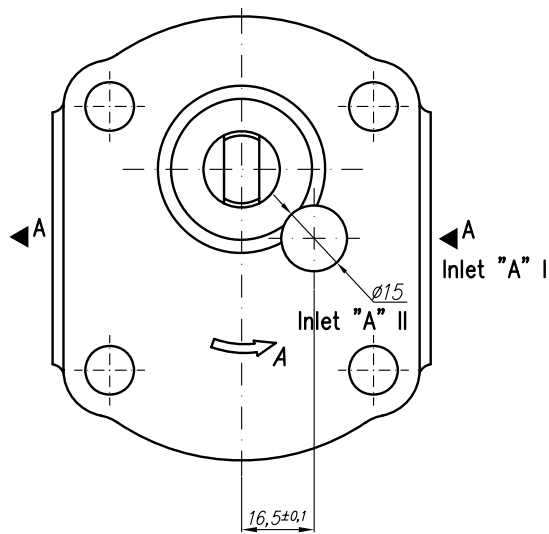
Designed as a II section of tandem pump 22A(C)...X539/...X538.



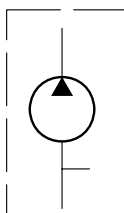
Rotation "C"



Rotation "A"



Symbol



Type	Displacement cm ³ /rev	Flow		Pressure P _{nom} bar	max Speed n rpm	Dimension							
		at 1500 rpm l/min	at max rpm l/min			A mm	B mm	Inlet			Outlet		
								E	F	d	E	F	d
20A(C)4,5X538	4,5	6,14	14,33	200	3500								
20A(C)6,3X538	6,3	8,69	20,29	200	3500								
20A(C)8,2X538	8,2	11,32	26,40	200	3500								
20A(C)10X538	10	13,95	32,55	200	3500								
20A(C)11X538	11,3	15,76	36,78	200	3500								
20A(C)12X538	12	16,92	39,48	200	3500								
20A(C)14X538	14	19,95	46,55	200	3500								
20A(C)15X538	15	21,60	36,00	200	2500								
20A(C)16X538	16	23,04	38,40	200	2500	65,3	106,5						
20A(C)19X538	19	27,36	45,60	200	2500			39,7	19				
20A(C)22X538	22	31,68	42,24	180	2000					5/16"-18UNC			
20A(C)25X538	25	36,00	48,00	160	2000						30,2	14,2	1/4"-20UNC