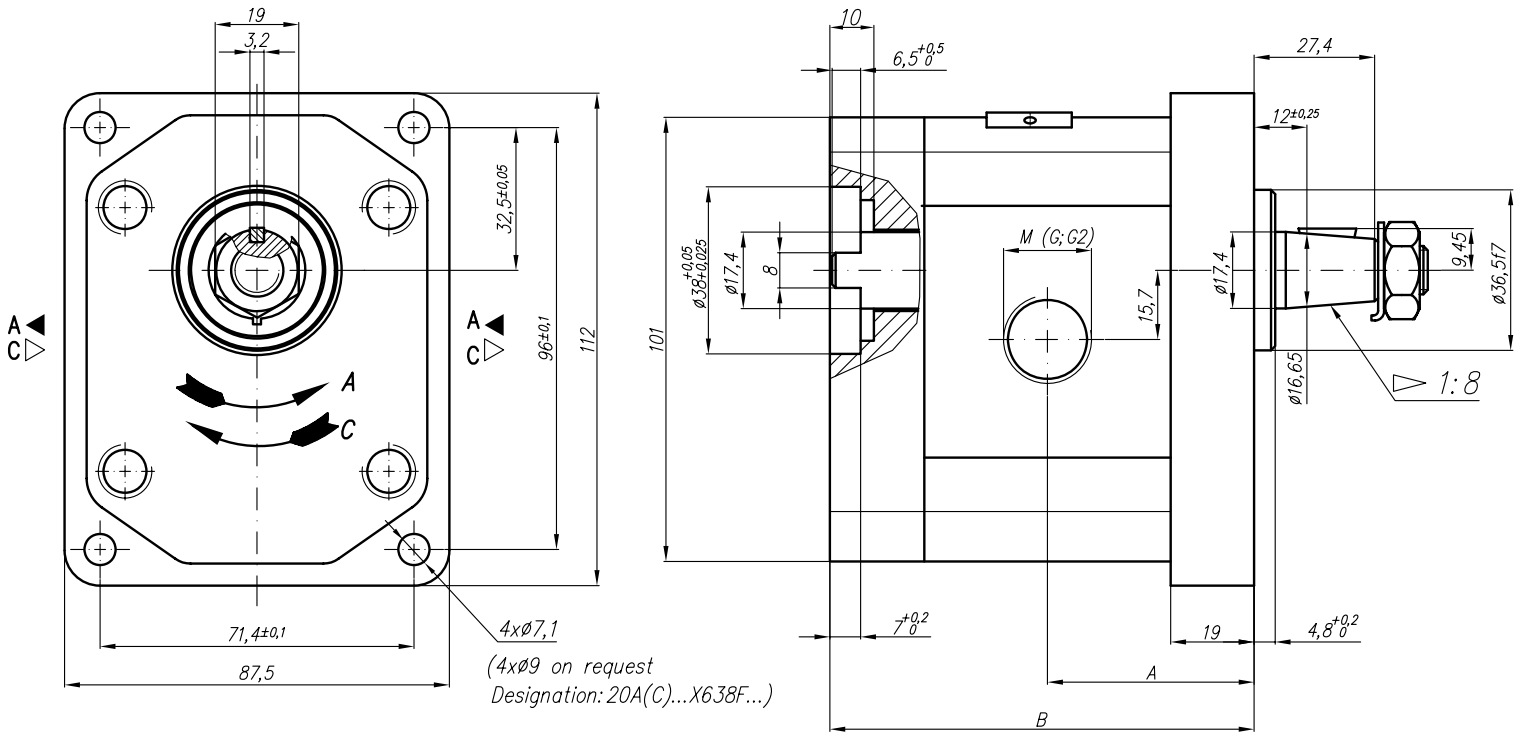
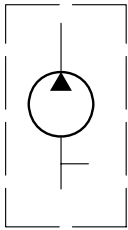


Designed as a 1 section of tandem pump 22A(C)...X638.../...X622...



Symbol



Type	Displacement cm ³ /rev	Flow		Pressure P _{nom} bar	max Speed n rpm	Dimension							
		at 1500 rpm l/min	at max rpm l/min			A mm	B mm	Inlet			Outlet		
								M	G	G2	M	G	G2
20A(C)4,5X638...	4,5	6,14	14,33	250	3500								
20A(C)6,3X638...	6,3	8,69	20,29	250	3500					G3/4"			
20A(C)8,2X638...	8,2	11,32	26,40	250	3500	45,5	93,1						
20A(C)10X638...	10	13,95	32,55	250	3500								
20A(C)11X638...	11,3	15,76	36,78	250	3500								
20A(C)12X638...	12	16,92	39,48	250	3500							G1/2"	G1/2"
20A(C)14X638...	14	19,95	46,55	250	3500								
20A(C)15X638...	15	21,60	36,00	250	2500								
20A(C)16X638...	16	23,04	38,40	250	2500								
20A(C)19X638...	19	27,36	45,60	200	2500								
20A(C)22X638...	22	31,68	42,24	180	2000								
20A(C)25X638...	25	36,00	48,00	160	2000	59,2	120,6						