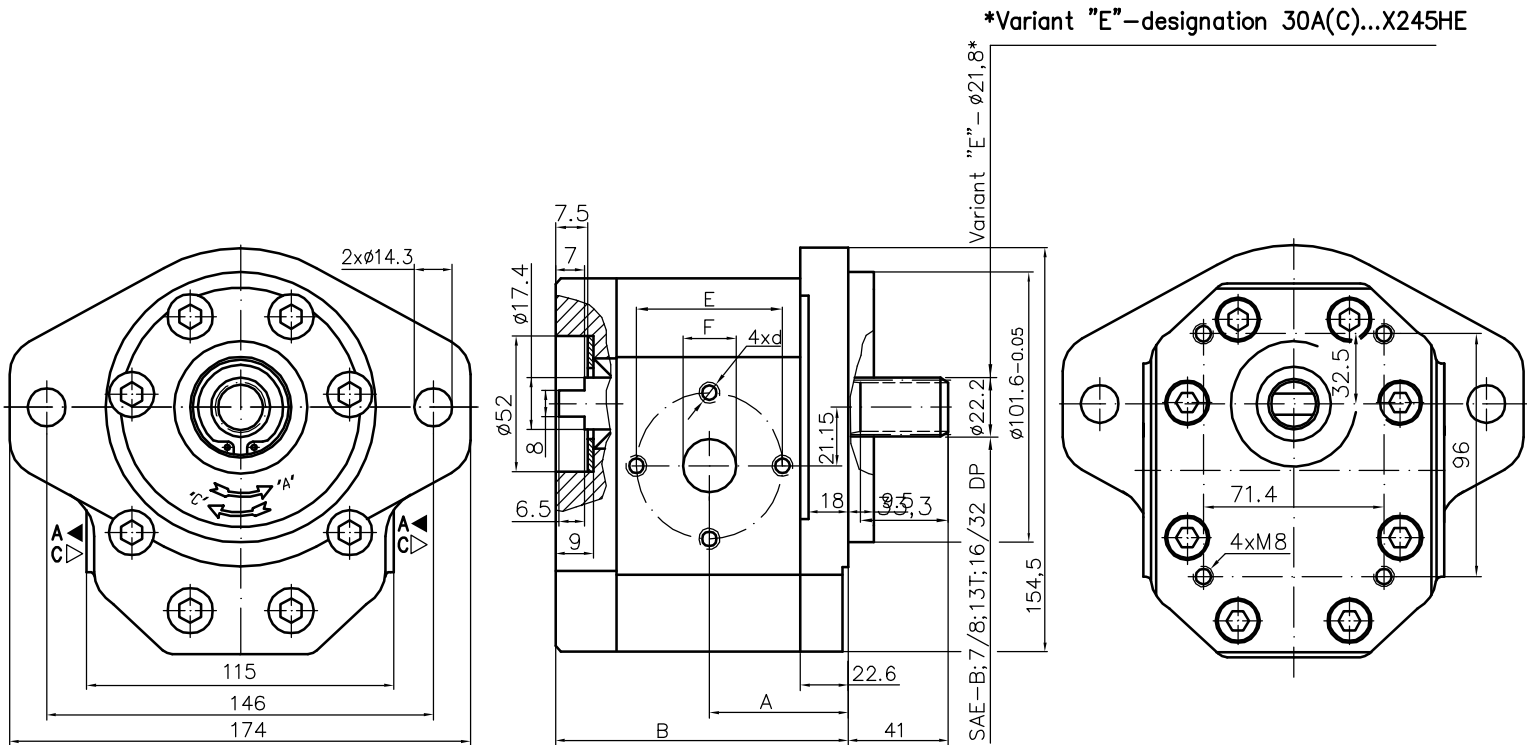


Designed as a first section of multiple gear pumps group 32.
Usually connected with second section pumps type 20A(C)...X201 and others with central diameter $\varnothing 52$.



Type	Displacement cm ³ /rev	Flow		Pressure P _{nom} bar	max Speed n rpm	Dimension							
		at 1500 rpm l/min	at max rpm l/min			A mm	B mm	Inlet			Outlet		
								E	d	F	E	d	F
30A(C)20X245H	20	28,2	56,4	250	3000	56,1	114,7	40	M8	19			
30A(C)22,2X245H	22,5	31,7	63,5	250	3000	57,6	117,7						
30A(C)25X245H	25	35,3	70,5	250	3000	58,3	119,1						
30A(C)28X245H	28	39,5	79,0	250	3000	60,2	122,7						
30A(C)32X245	32	45,1	75,2	250	2500	62,0	126,3						
30A(C)32X245H	32	45,1	90,2	250	3000	66,5	135,3	51	M10	27	40	M8	19
30A(C)36X245	36	50,8	84,6	250	2500	63,5	129,4						
30A(C)36X245H	36	51,3	95,8	250	2800	68,0	138,5						
30A(C)42X245	42	59,9	91,8	230	2300	66,3	135,0						
30A(C)42X245H	42	59,9	99,8	230	2500	70,8	144,0						
30A(C)46X245H	46	65,6	100,5	230	2300	72,7	147,8						
30A(C)50X245H	50	71,3	99,8	200	2100	74,5	151,4						
30A(C)55X245H	55	78,4	91,4	200	1750	76,7	155,9						
30A(C)60X245H	60	85,5	99,8	180	1750	78,7	160,4						