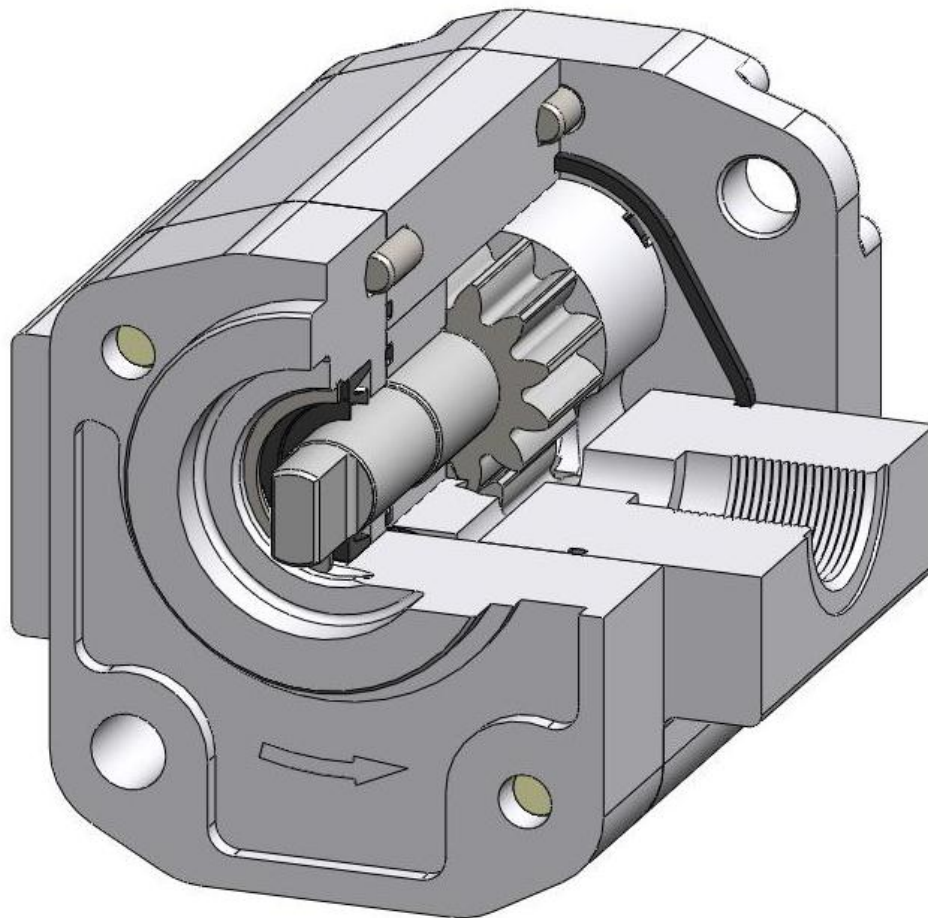


Balanced hydraulic gear pump

B 10A(C)...X001...



Technical parameters of the new hydraulic gear pump offered

Type	Displacement cm^3/rev	Flow		Pressure	max Speed	Dimension		
		1500 min^{-1} l/min	max min^{-1} l/min	p_n bar	n_{max} rpm	B mm	Inlet	Outlet
B10A(C)2,5X001	2,5	3,56	8,31	250	3500	77,2	G 1/2" - A	G 1/2" - A
B10A(C)2,65X001	2,65	3,78	8,81	250	3500	77,8		
B10A(C)3,15X001	3,15	4,49	10,47	250	3500	79,8		
B10A(C)3,65X001	3,65	5,20	12,14	250	3500	81,9		
B10A(C)4,2X001	4,2	5,99	13,97	250	3500	84,1		
B10A(C)4,7X001	4,7	6,70	15,63	250	3500	87,1		
B10A(C)5,0X001	5,0	7,13	14,25	250	3000	87,2		
B10A(C)5,7X001	5,7	8,12	16,25	200	3000	90,1		
B10A(C)6,1X001	6,1	8,69	14,49	200	2500	91,8		
B10A(C)7,4X001	7,4	10,55	17,58	180	2500	97,2		
B10A(C)8,0X001	8,0	11,40	15,20	150	2000	99,7		

Comparison noise level of a balanced hydraulic gear pump and a conventional gear pump

