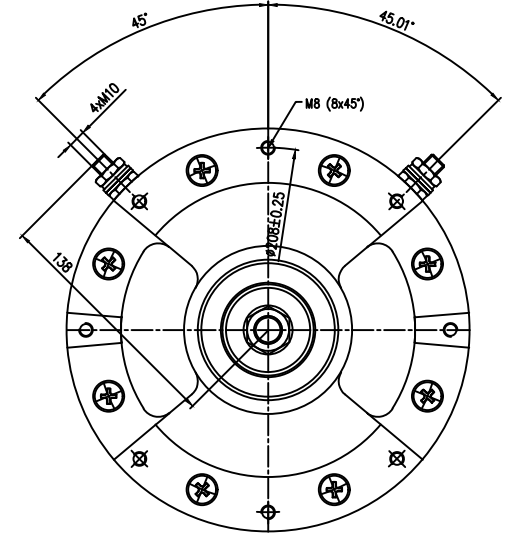
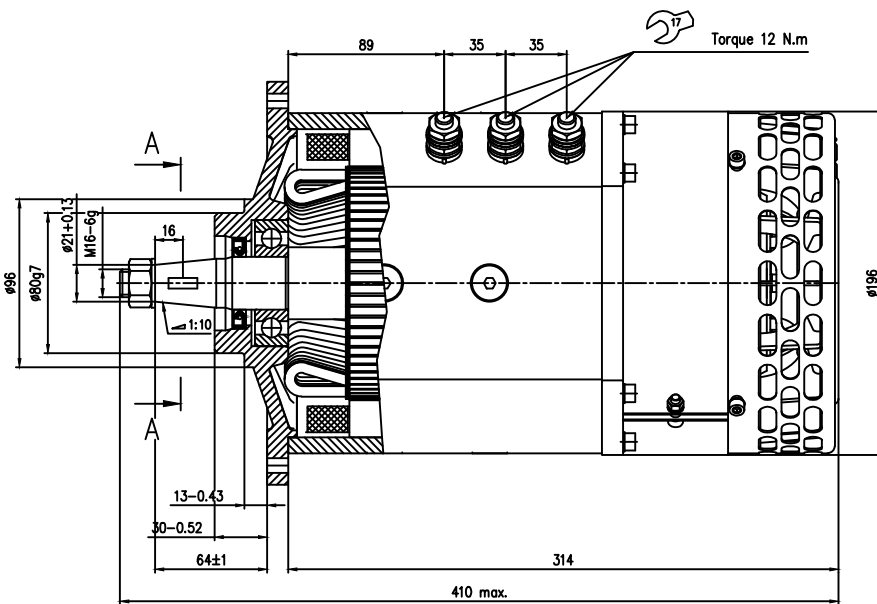
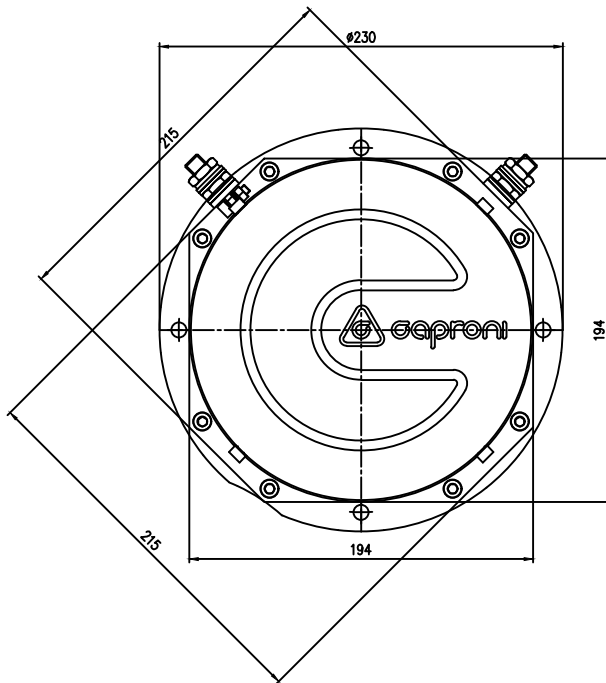
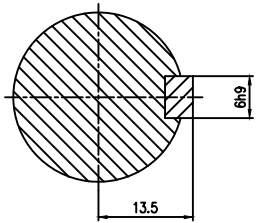


DCM 3/3,8/18



A-A
M2:1

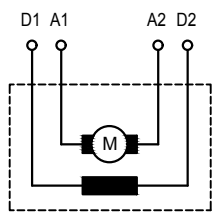


TECHNICAL DATA

DCM 3/3,8/18
Id.Ne R49811

| | |
|----------------|------------------------|
| Rated Power | 3 kW |
| Rated Voltage | 38 V |
| Rated Current | 95 A |
| Rated Speed | 1800 min ⁻¹ |
| Operation Mode | S2 - 60 min. |
| Excitation | Series |
| Protection | IP 21 |
| Insulation | F |
| Weight | 41 kg |

Connection Diagram



Rotation (viewed from the drive end)
C.C.W. Connect A2 to D1; "+" to D2 and "-" to A1
C.W. Connect A2 to D2; "+" to D1 and "-" to A1

