



# Caproni



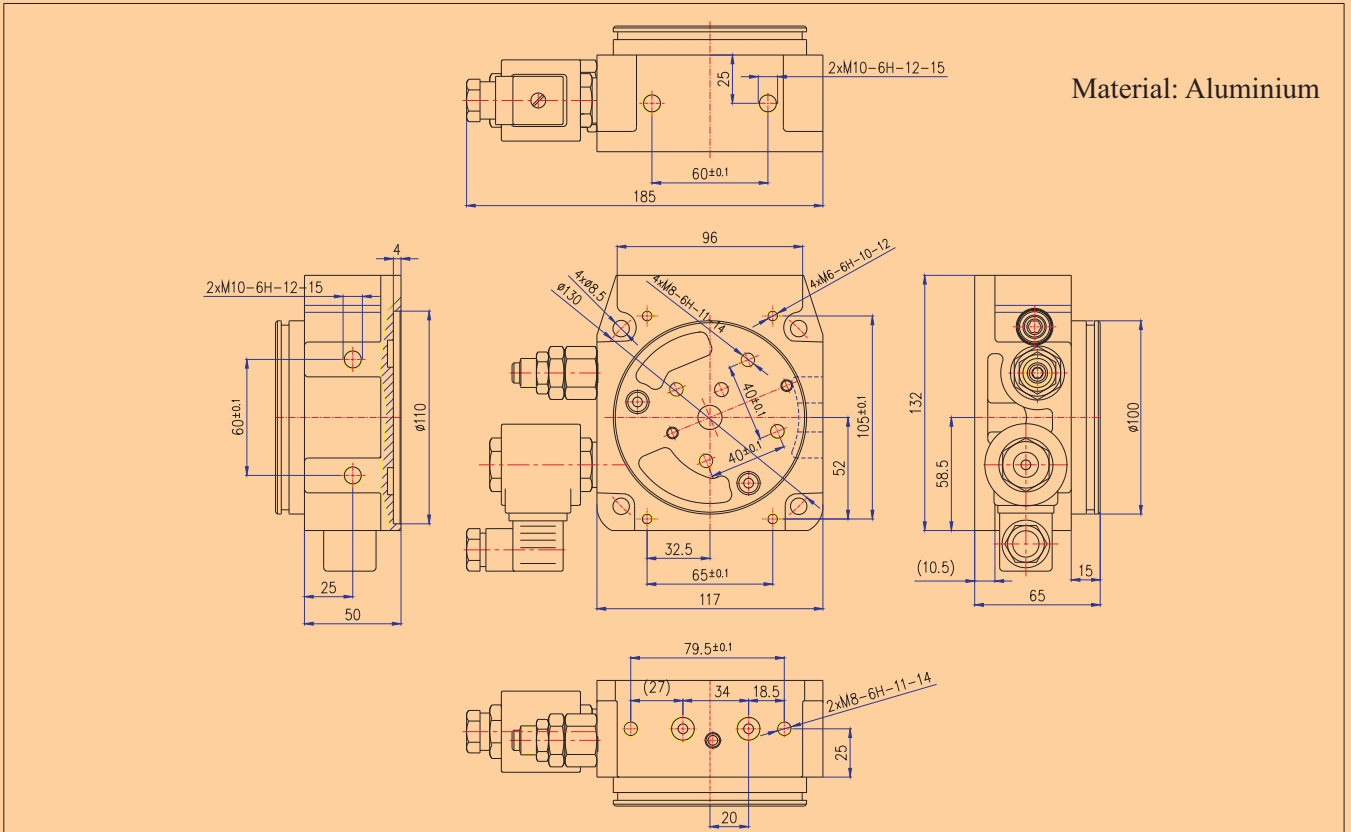
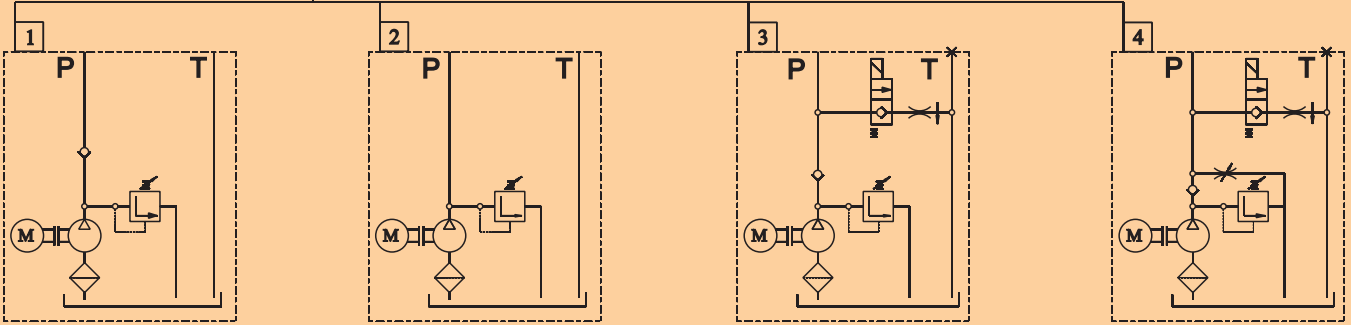
**MINI POWER PACKS**

MPPF-

M

# Central block

## Hydraulic scheme



# Pressure range

p[bar]	20 ÷ 240
--------	----------

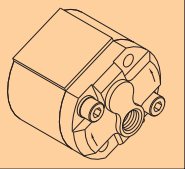
# Solenoid valve

Denomination	EV08-2B	EV08-2A	MV08-2B-A
Diagram			

Solenoid		
12V DC	12 V RAC	110V RAC
24V DC	24 V RAC	220V RAC

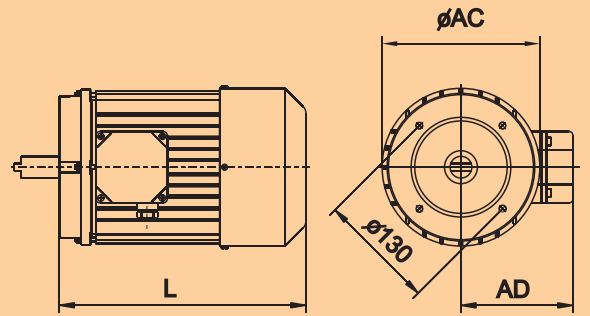
# Pump

cc/rev	1.0	1.25	1.6	2.0	2.5	3.15	3.65	4.2	5.0	5.7	6.1	7.4	8.0
--------	-----	------	-----	-----	-----	------	------	-----	-----	-----	-----	-----	-----



# AC Motor

	N [kW]	U [V]	L [mm]	AC [mm]	AD [mm]	N [kW]	U [V]	L [mm]	AC [mm]	AD [mm]
n=1500 rpm	0.55	220	233	154	122	0.55	220/380	233	154	122
	0.75		233	154	122	0.75		233	154	122
	1.1		270	170	126	1.1		270	170	126
	1.5		270	170	126	1.5		270	170	126
	2.2		295	170	126	2.2		308	190	136
								3.0	308	190
n=3000 rpm	0.75	220	233	154	122	0.75	220/380	233	154	122
	1.1		233	154	122	1.1		233	154	122
	1.5		270	170	126	1.5		270	170	126
	2.2		270	170	126	2.2		270	170	126
								3.0	308	190

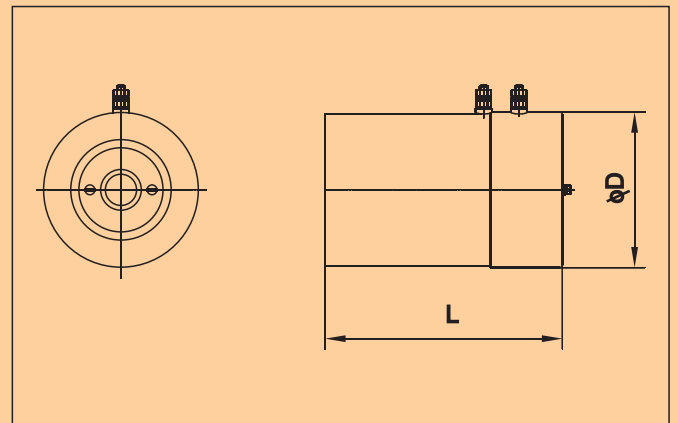


AC three phase motors 220/380V 50Hz construction shape B14  
AC single phase motors 220V 50Hz construction shape B14

# DC Motor

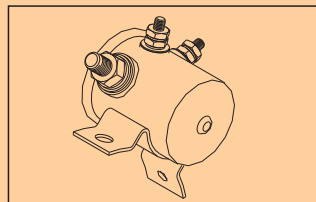
The motors are operated in short-time regime S2 (e.g. 2, 3, or 5 min) during which they reach maximal admissible temperature after they should be left in idle regime to achieve the ambient temperature. For additional information, please contact with us.

N [kW]	U [V]	D [mm]	L [mm]
0.8	12	81	150.8
1.5	12	114	175.5
2.0	12	114	175.5
2.5	12	125	197
0.8	24	81	150.8
1.5	24	114	175.5
2.0	24	114	175.5
3.0	24	125	197



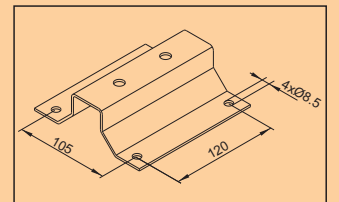
## Relay

Y	N
With relay	Without relay



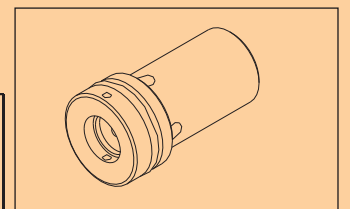
## Support

Y	N
With	Without



# Flow regulator pressure compensated

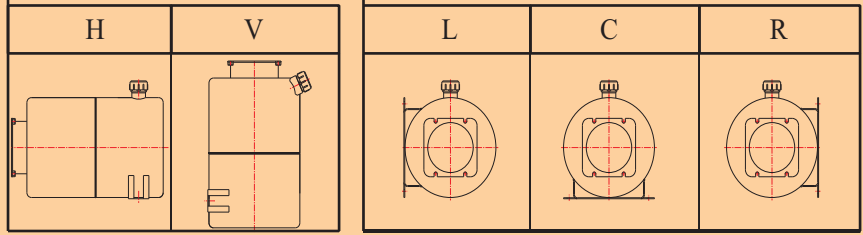
Regulated flow-rate [l/min]	Without	1	2	3	4	5	6	7	8	9	10



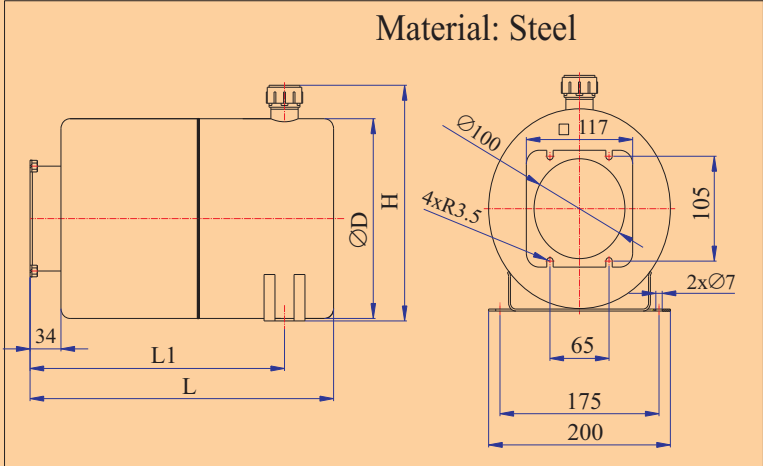
# C

## Oil tanks

Usable Volume [L]
1
2
3
5
8
12



Code	Volume [L]	Dimensions [mm]			
		∅D	L	L1	H
C1	1	140	184	—	174
C2	2	140	234	—	174
C3	3	160	234	—	194
C5	5	160	334	—	194
C8	8	200	334	280	236
C12	12	200	449	385	236

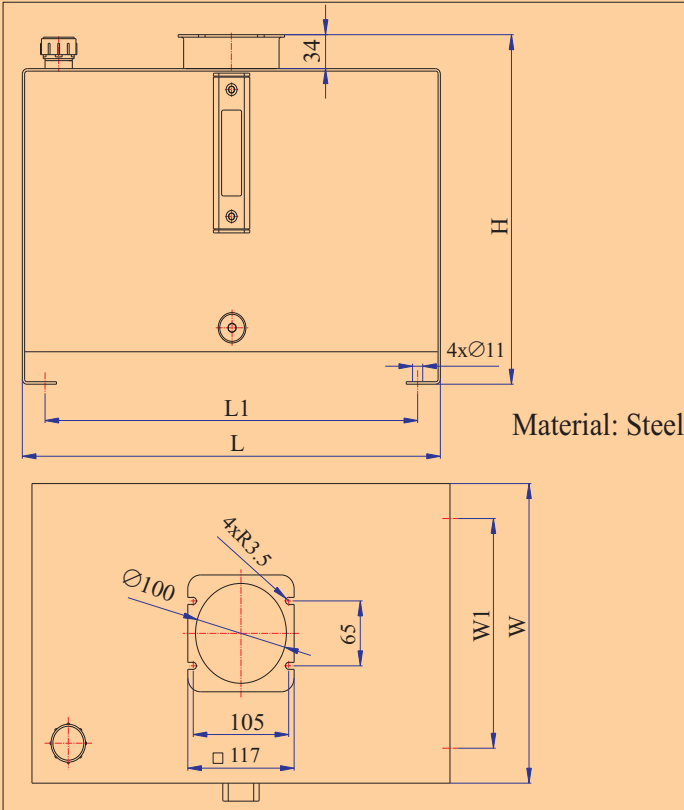


# B

## Oil tanks

Usable Volume [L]
12
15
20
30
45
60

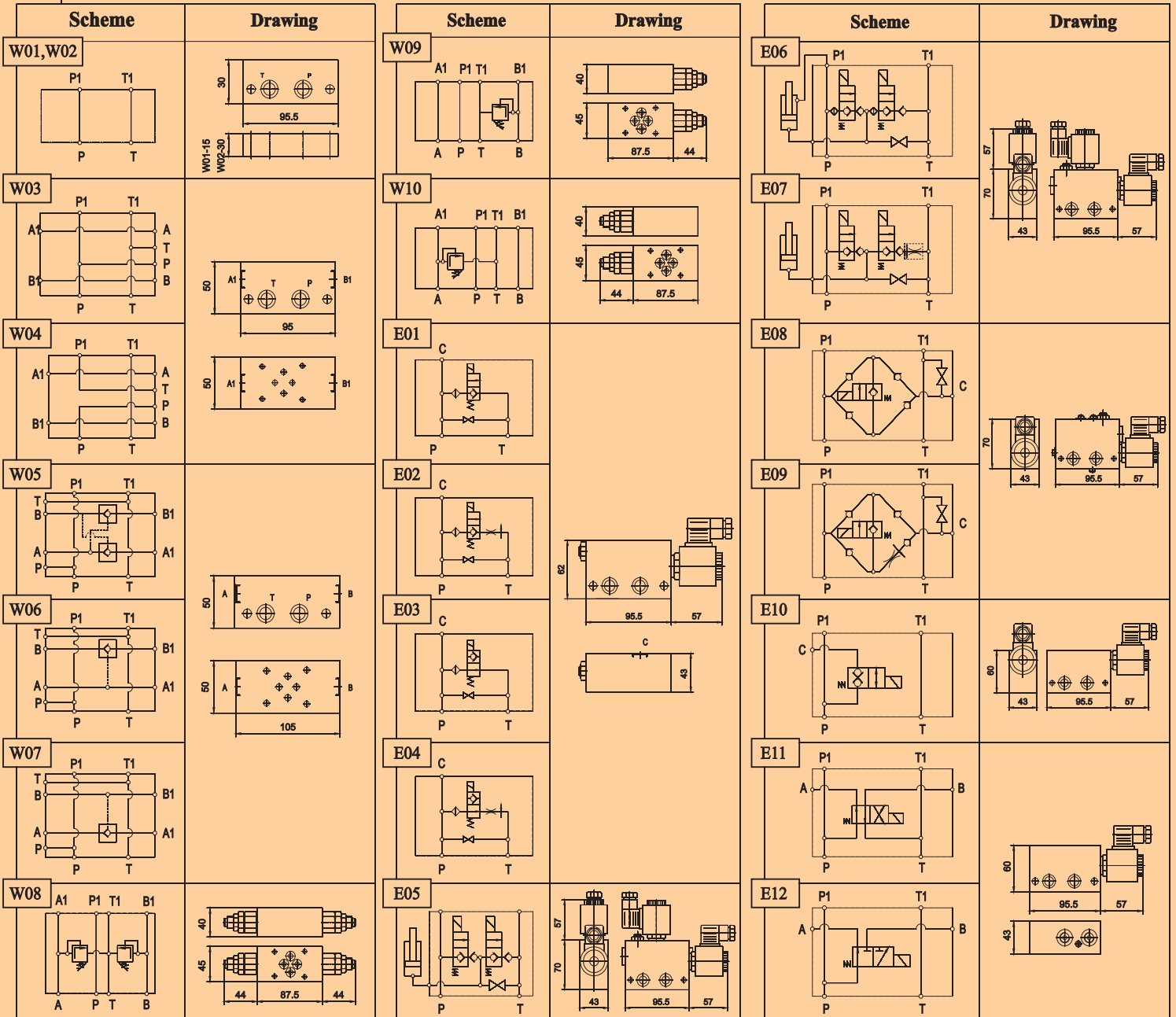
Code	Volume [L]	Dimensions [mm]				
		L	W	H	L1	W1
B12	12	280	260	284	250	200
B15	15	350	260	304	320	200
B20	20	350	260	394	320	200
B30	30	460	300	350	410	230
B45	45	460	300	500	410	230
B60	60	460	370	500	410	300



# Build-in valve

Solenoid	Solenoid
Without	110V, 50Hz AC
12V DC	220V, 50Hz AC
24V DC	220V RAC

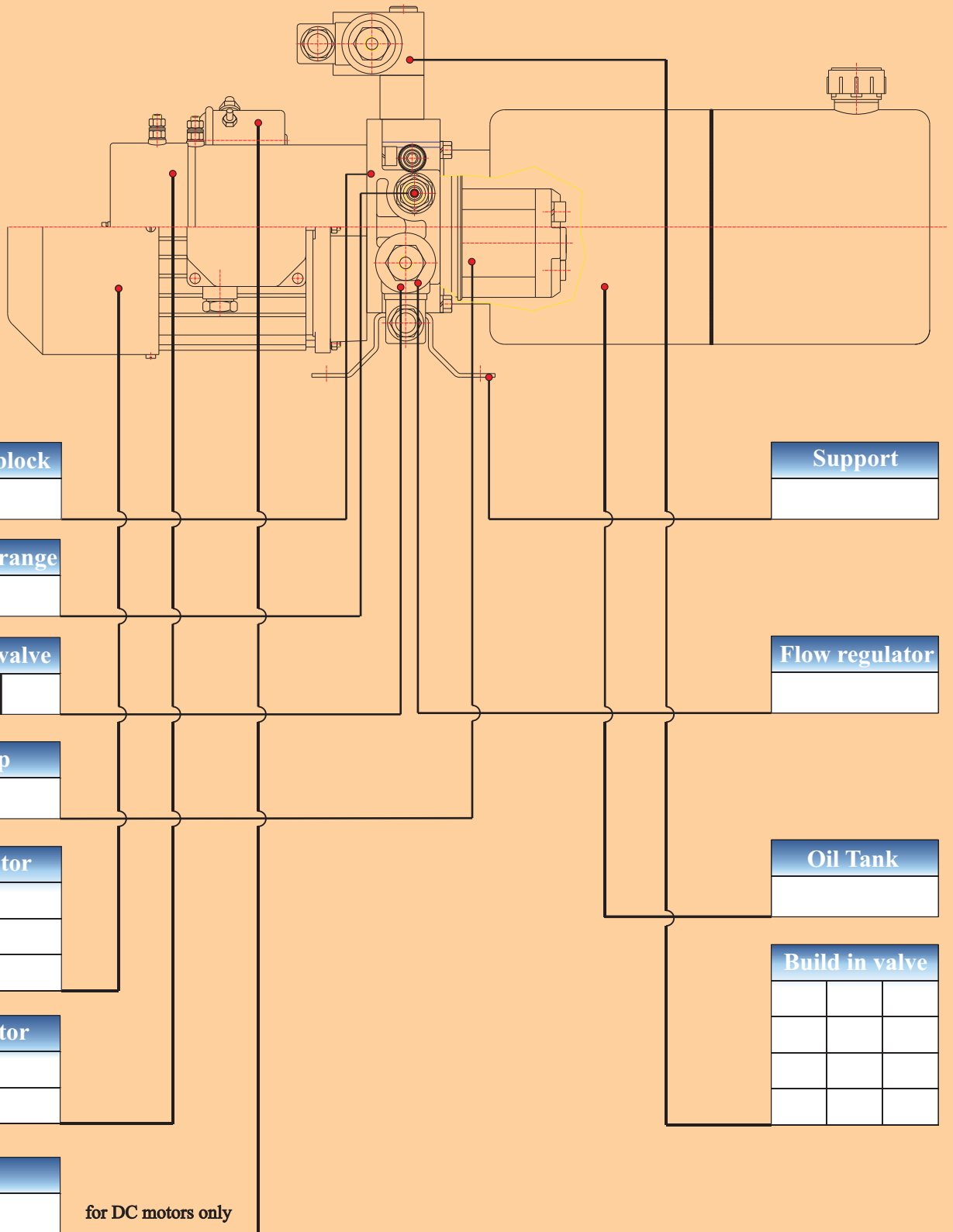
Threads
G 1/4"
G 3/8"



A DIRECTIONAL CONTROL VALVE - TYPE CETOP 03  
IS CONNECTED TO THE BLOCKS SERIES W...

# ORDER FORM

COPY THIS PAGE, FILL IN AND SEND US



Ordering example:

M3/ 110bar/ EV08-2B 24V/ 4.2cc/ DC 2kW 24V/ Y/ Y/ FR 6L/min/ C8H/ W02; 2xW05; 2xRH06011 24V

THANK YOU FOR YOUR CHOICE

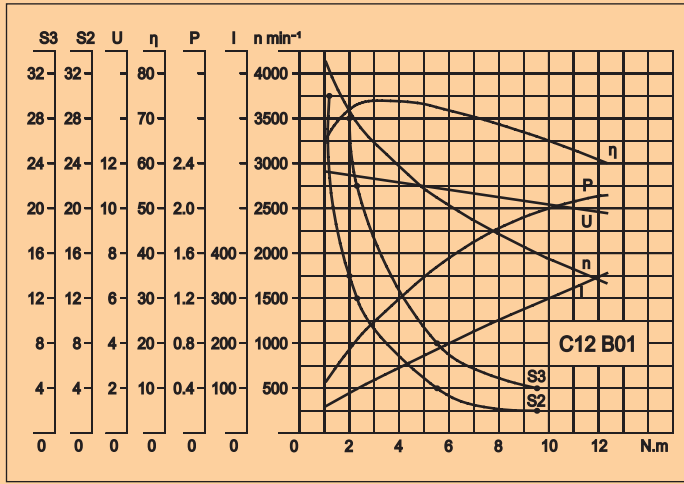


**DCM 1,5/1,2/27**

Rated Power 1.5 kW  
 Rated Voltage 12 V  
 Rated Current 180 A  
 Rated Speed 2700 min<sup>-1</sup>  
 Operation Mode S2 - 4 min  
 Excitation Compound  
 Protection IP 44  
 Insulation F  
 Weight 6.8 kg / 7.1 kg  
 Char. Curve C12 B01  
 Rotation C.W.D.E

**DCM 2,0/1,2/23**

Rated Power 2 kW  
 Rated Voltage 12 V  
 Rated Current 270 A  
 Rated Speed 2300 min<sup>-1</sup>  
 Operation Mode S2 - 1.5 min  
 Excitation Compound  
 Protection IP 44  
 Insulation F  
 Weight 6.8 kg / 7.1 kg  
 Char. Curve C12 B01  
 Rotation C.W.D.E

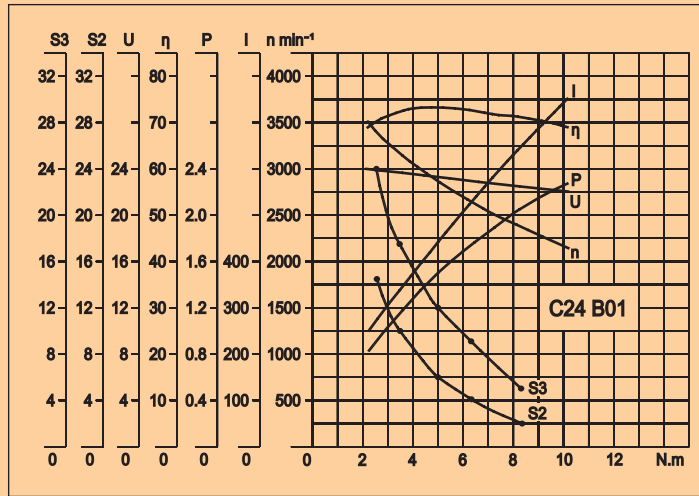


**DCM 1,5/2,4/27**

Rated Power 1.5 kW  
 Rated Voltage 24 V  
 Rated Current 90 A  
 Rated Speed 2700 min<sup>-1</sup>  
 Operation Mode S2 - 5 min  
 Excitation Compound  
 Protection IP 44  
 Insulation F  
 Weight 6.8 kg / 7.1 kg  
 Char. Curve C24 B01  
 Rotation C.W.D.E

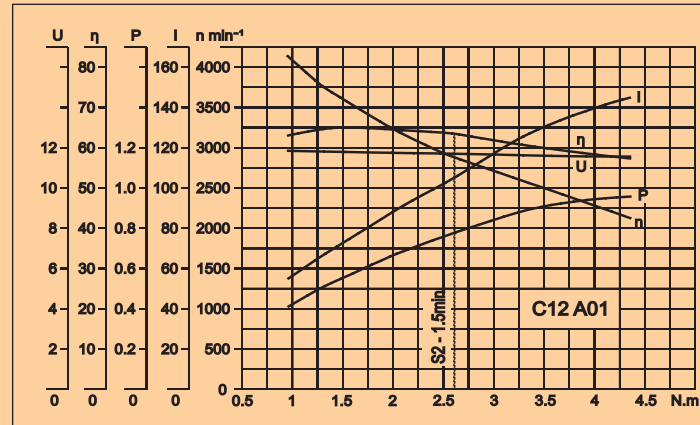
**DCM 2,0/2,4/23**

Rated Power 2 kW  
 Rated Voltage 24 V  
 Rated Current 121 A  
 Rated Speed 2300 min<sup>-1</sup>  
 Operation Mode S2 - 2 min  
 Excitation Compound  
 Protection IP 44  
 Insulation F  
 Weight 6.8 kg / 7.1 kg  
 Char. Curve C24 B01  
 Rotation C.W.D.E



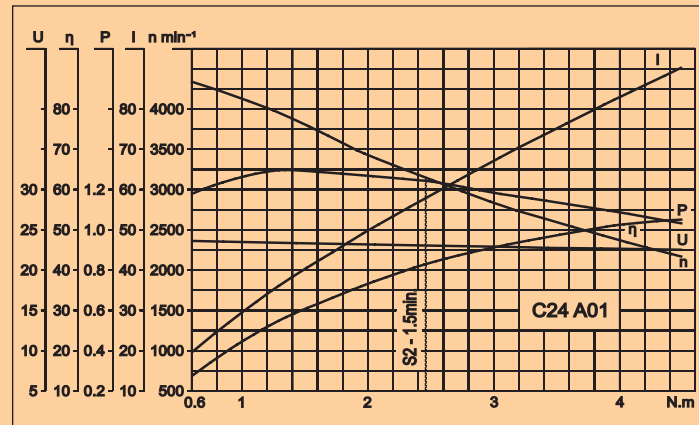
**DCM 0,8/1,2/30**

Rated Power 0.8 kW  
 Rated Voltage 12 V  
 Rated Current 110 A  
 Rated Speed 3000 min<sup>-1</sup>  
 Operation Mode S2 - 1.5 min  
 Excitation Compound  
 Protection IP 44  
 Insulation F  
 Weight 3.1 kg  
 Char. Curve C12 A01  
 Rotation C.W.D.E



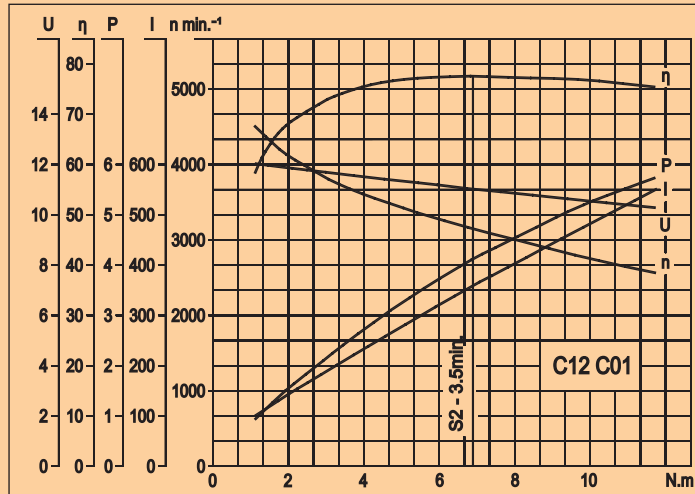
**DCM 0,8/2,4/30**

Rated Power 0.8 kW  
 Rated Voltage 24 V  
 Rated Current 58 A  
 Rated Speed 3000 min<sup>-1</sup>  
 Operation Mode S2 - 1.5 min  
 Excitation Compound  
 Protection IP 44  
 Insulation F  
 Weight 3.1 kg  
 Char. Curve C24 A01  
 Rotation C.W.D.E

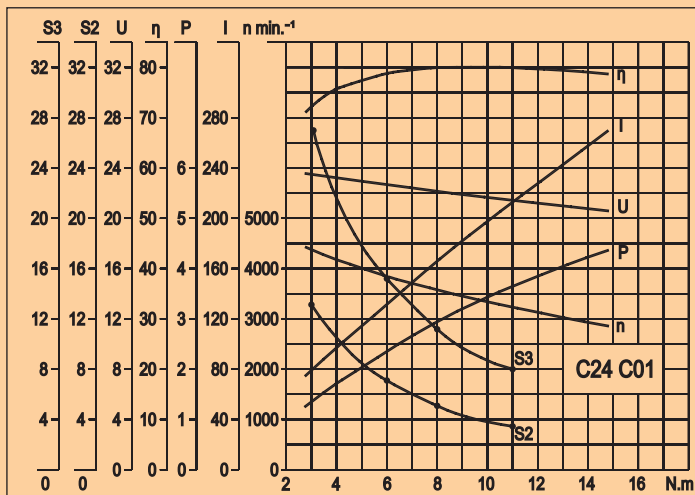


**DCM 2,5/1,2/35**

**Rated Power** 2,5 kW  
**Rated Voltage** 12 V  
**Rated Current** 360 A  
**Rated Speed** 3500 min<sup>-1</sup>  
**Operation Mode** S2 - 3.5 min  
**Excitation** Compound  
**Protection** IP 44  
**Insulation** F  
**Weight** 10.3 kg  
**Char. Curve** C12 C01  
**Rotation** C.W.D.E


**DCM 3,0/2,4/35**

**Rated Power** 3 kW  
**Rated Voltage** 24 V  
**Rated Current** 188 A  
**Rated Speed** 3500 min<sup>-1</sup>  
**Operation Mode** S2 - 4.5 min  
**Excitation** Compound  
**Protection** IP 44  
**Insulation** F  
**Weight** 9.5 kg  
**Char. Curve** C24 C01  
**Rotation** C.W.D.E



# Caproni

BULGARIA JOINT-STOCK COMPANY

BULGARIA, 6100 KAZANLAK, 45 STOLETOV STR.

TEL.: +359/431/62 229; 6132

FAX: +359/431/62 230; +359/431/63 134

E-MAIL: CAPRONI@CAPRONI.BG; WEB: WWW.CAPRONI.BG