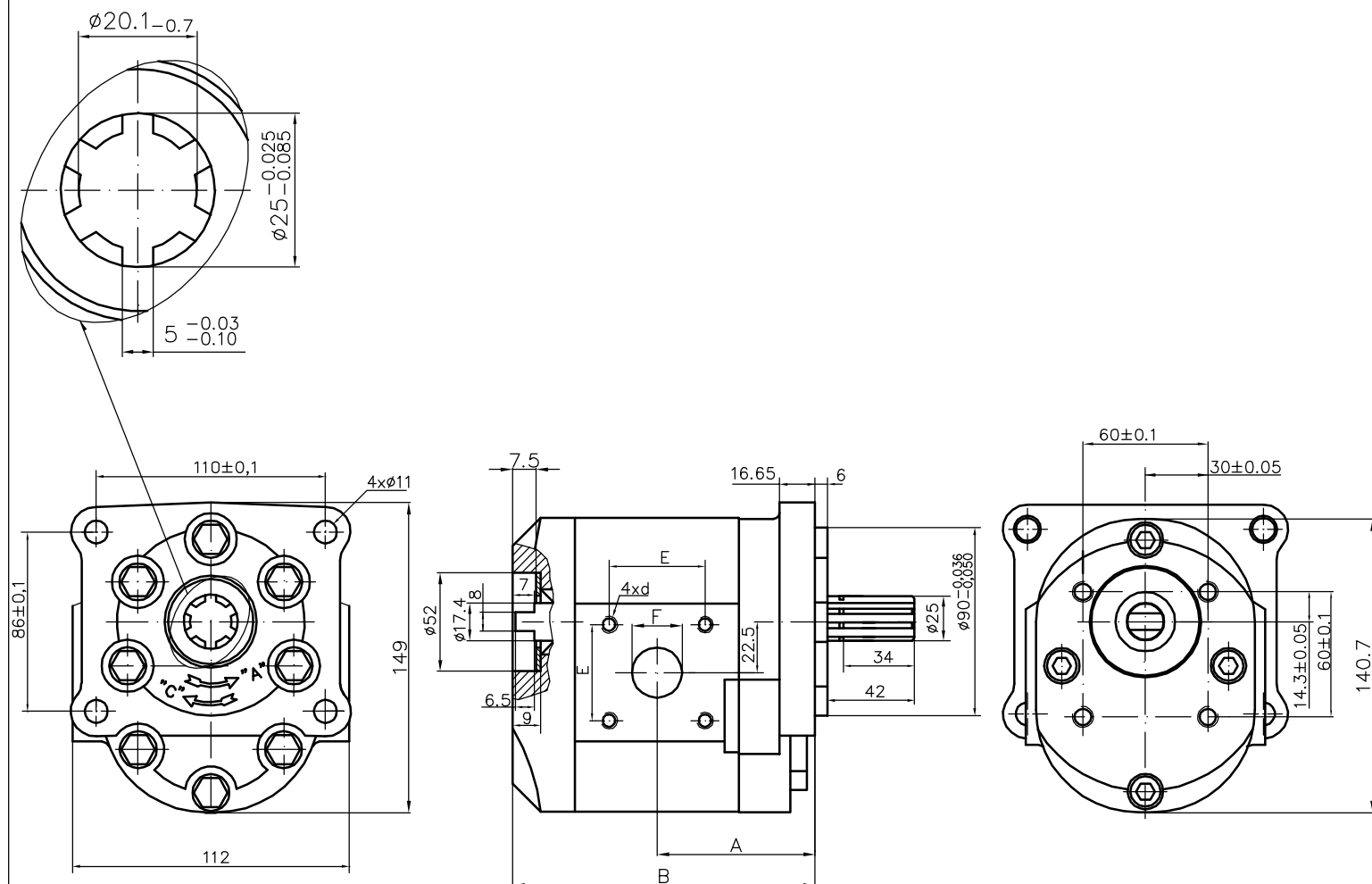


Designed as a first section of multiple pumps group 32.

Connected with second section pumps type 20A(C)...X066; 20A(C)...X077 and others with central diameter  $\phi 52$ .



Type	Displacement cm <sup>3</sup> /rev	Flow		Pressure P <sub>nom</sub> bar	max Speed n rpm	Dimension							
		at 1500 rpm l/min	at max rpm l/min			Inlet		Outlet					
						A mm	B mm	E	d	F	E	d	F
30A(C)25X277Y	24,5	34,5	69,1	200	3000	64,0	129,7	46	M8	20	46	M8	20
30A(C)32X277Y	32	45,1	75,2	200	2500	67,6	136,9	46	M8	22	46	M8	22
30A(C)46X277Y	46	65,6	100,5	190	2300	72,5	149,4						
30A(C)50X277Y	50	71,3	99,8	175	2100	72,5	153,0	54	M10	27	54	M10	27